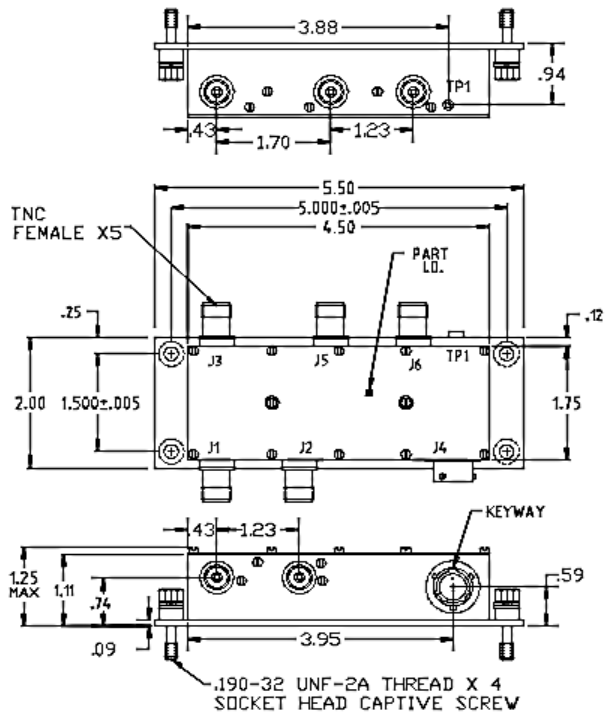


FEATURES

- Frequency Range: DC – 400 MHz
- Low Insertion Loss: 0.32dB
- High Isolation: 72dB
- RF Power Operating: 50dBm/100W
- VDC Supply: +28V
- Failsafe Mode: COM1 to Lower Antenna & COM2 to VHF Antenna
- Auto Cycle Mode: between Upper & Lower Antenna
- Key Function: Memory Auto selects Antenna which last signal was received

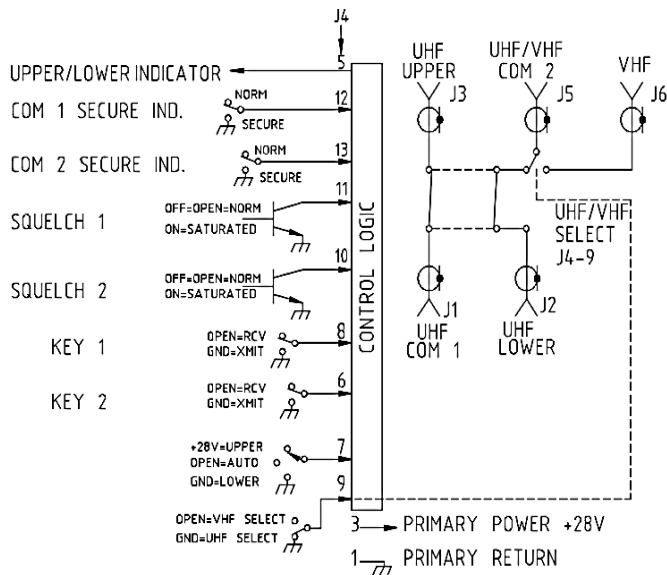


OUTLINE DRAWING



APPLICATIONS: MILITARY FIGHTER AIRCRAFT

FUNCTIONAL BLOCK DIAGRAM



PRODUCT SPECIFICATION

Parameter	Min.	Typ.	Max.	Units
Frequency	DC		400	MHz
DC Current		210	350	mA +28VDC Supply
Insertion Loss		0.32	0.5	dB
Isolation	40	72		dB
VSWR		1.2:1	1.25:1	
Impedance		50		Ω
Switching Speed		2.6	5	msec 50% TTL to 90%/10% RF
RF Power Operating			50	dBm Avg.
			57	dBm Peak
Temperature	-54	+25	+71	$^{\circ}\text{C}$ Intermittent @ +95 $^{\circ}\text{C}$

TYPICAL PERFORMANCE

