

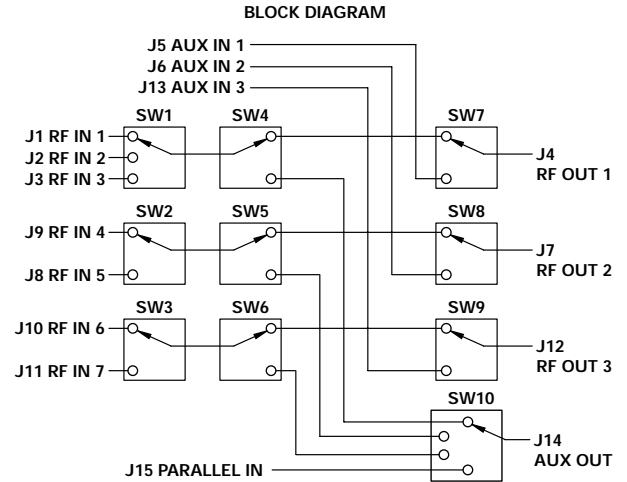
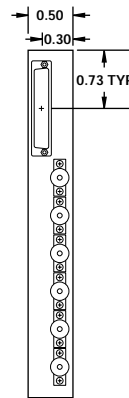
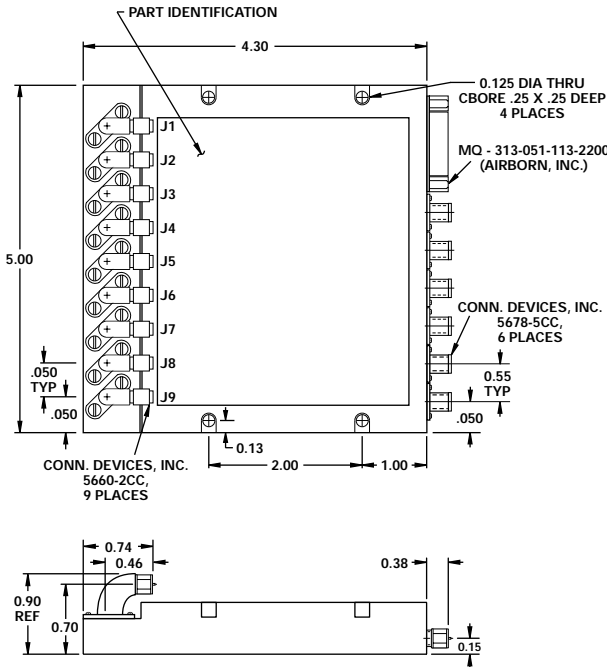
## FEATURES

- 20 - 1000 MHz
- +90 dBm 2nd Order Intercept Point
- +50 dBm 3rd Order Intercept Point
- High Isolation
- TTL Drivers
- Replaceable SMA Connectors



MODEL NO.  
CSWX6152

## PIN Diode RF Switch Matrix



## GUARANTEED PERFORMANCE

Parameter	Min	Typ	Max	Units	Conditions
Operating Frequency	20		1000	MHz	
DC Current		95 275	600 300	mA	At +5 VDC Supply At -5 VDC Supply
Control Type		CMOS			6 Line Control
Control Current	<i>High</i> <i>Low</i>			$\mu$ A $\mu$ A	$V_{IH} = +5V$ $V_{IL} = +0V$
Insertion Loss		2.5	3.5	dB	RF IN to RF OUT Path
		1.0	1.3	dB	AUX IN to RF OUT Path
		2.3	3.5	dB	RF IN to AUX OUT
		1.0	1.3	dB	PARALLEL IN to AUX OUT
Isolation: RF IN to RF OUT Path	50	55		dB	On - Off Isolation
	60	80		dB	(Except RF IN1 and RF IN4)
	100	105		dB	Channel to Channel Isolation
				dB	On - Off Isolation
				dB	(For RF IN1 and RF IN4)
AUX IN to RF OUT Path	35	50		dB	On - Off Isolation
RF IN to AUX OUT	30	53		dB	On - Off Isolation
PARALLEL IN to AUX OUT	30	45		dB	On - Off Isolation
VSWR	<i>Thru</i> <i>Termination</i>	1.25/1	1.5/1		RF IN and AUX IN Only
Impedance		50		OHMS	
Switching Speed		2.5	5	$\mu$ Sec	50% TTL to 90% / 10% RF
Transition (Rise/Fall) Time				nSec	10% / 90% to 90% / 10% RF
Switching (Video) Transients				mV	Peak Value
Intercept Points	<i>2nd</i>	+60	+90	dBm	70 MHz / 50 MHz
	<i>3rd</i>	+35	+50	dBm	35 MHz / 50 MHz
RF Power	<i>Operate</i> <i>No Damage</i>		+20	dBm	1.0 dB Compression
Operating Temperature	-20	+25	+85	$^{\circ}$ C	TA

## TYPICAL PERFORMANCE at 25 $^{\circ}$ C

