

## FEATURES

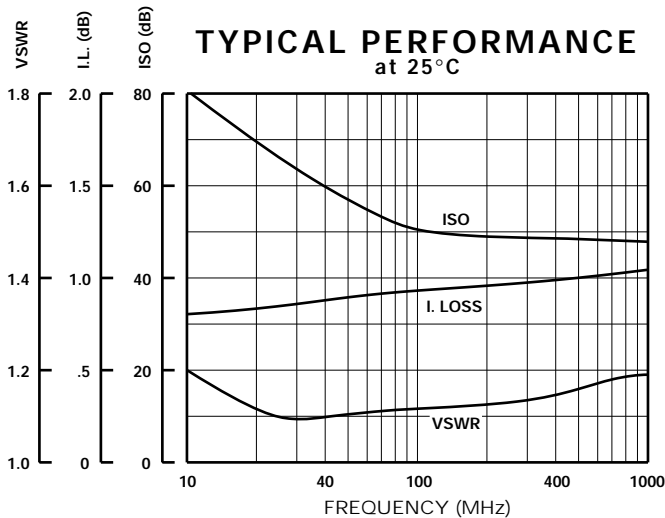
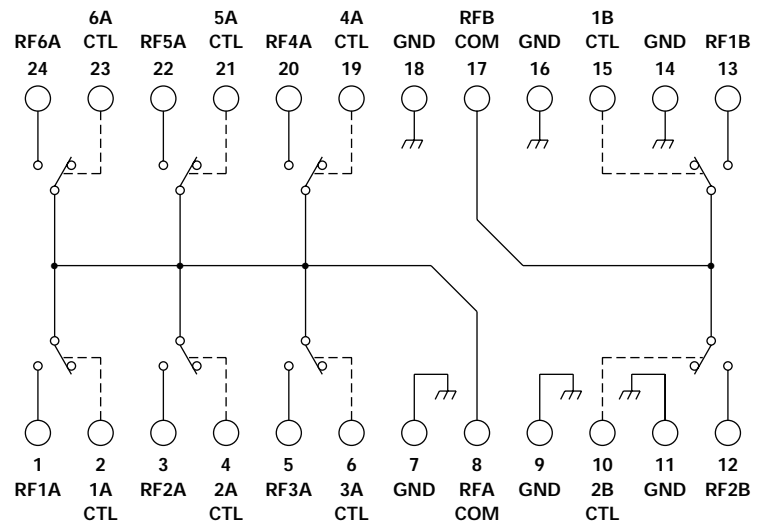
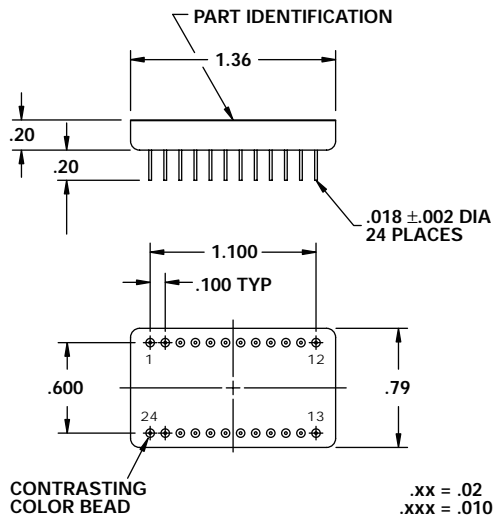
- 30 - 600 MHz
- SP2T & SP6T In a 24 Pin DIP
- CMOS Control
- Low Current Consumption



MODEL NO.  
CSWX1923

PIN Diode SP2T & SP6T

HDI



## GUARANTEED PERFORMANCE

| Parameter                    | Min              | Typ   | Max   | Units | Conditions   |
|------------------------------|------------------|-------|-------|-------|--|
| Operating Frequency          | 30               |       | 600   | MHz   |  |
| Control Type                 |                  | CMOS  |       |       | 8 Line - One to Each Switch;<br>Compatible With<br>MC88C29 Driver<br>Logic: +12V = Thru<br>+0V = Isolation |
| Control Current              |                  |       |       |       |  |
|                              | <i>High</i>      | 4     | 10    | mA    | V <sub>IH</sub> = +12V   |
|                              | <i>Low</i>       | 0     | 0     | mA    | V <sub>IL</sub> = +0V  |
| Insertion Loss               |                  | 1.1   | 1.7   | dB    |  |
| Isolation                    | 37               | 47    |       | dB    |  |
| VSWR                         | <i>Thru</i>      | 1.2/1 | 1.6/1 |       |  |
| Impedance                    |                  | 50    |       | OHMS  |  |
| Switching Speed              |                  | 62    | 100   | µSec  | 50% TTL to 10% / 90% RF  |
| Transition (Rise/Fall) Time  |                  | 34    |       | µSec  | 10% / 90% or 90% / 10% RF  |
| Switching (Video) Transients |                  | 140   |       | mV    | Peak Value   |
| Intercept Points             |                  |       |       |       |  |
|                              | <i>2nd</i>       | +73   |       | dBm   | 70 MHz / 50 MHz  |
|                              | <i>3rd</i>       | +52   |       | dBm   | 35 MHz / 50 MHz  |
| RF Power                     |                  |       |       |       |  |
|                              | <i>Operate</i>   | +21   | +10   | dBm   | 0.1 dB Compression   |
|                              | <i>No Damage</i> |       | +20   | dBm   |  |
| Operating Temperature        | -55              | +25   | +85   | °C    | TA   |