

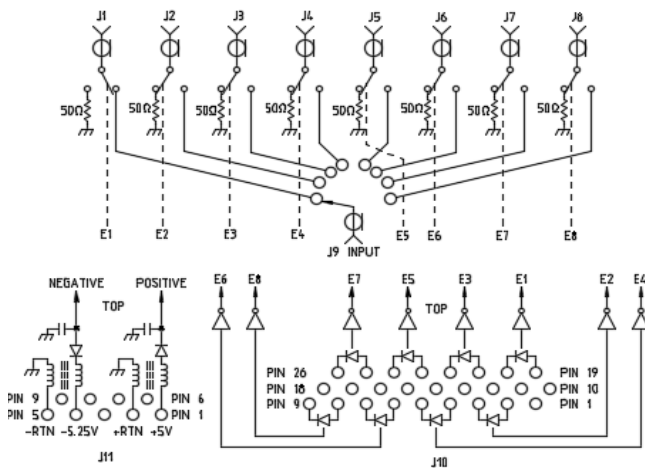
### FEATURES

- Frequency Range: 250 - 500 MHz
- Fast Switching Speed: 140nsec
- VDC Supply: +5.0V/-5.25V
- TTL Control: Opto-Coupler
- Non-Reflective
- Connectorized: SMA
- PIN Diode Switching

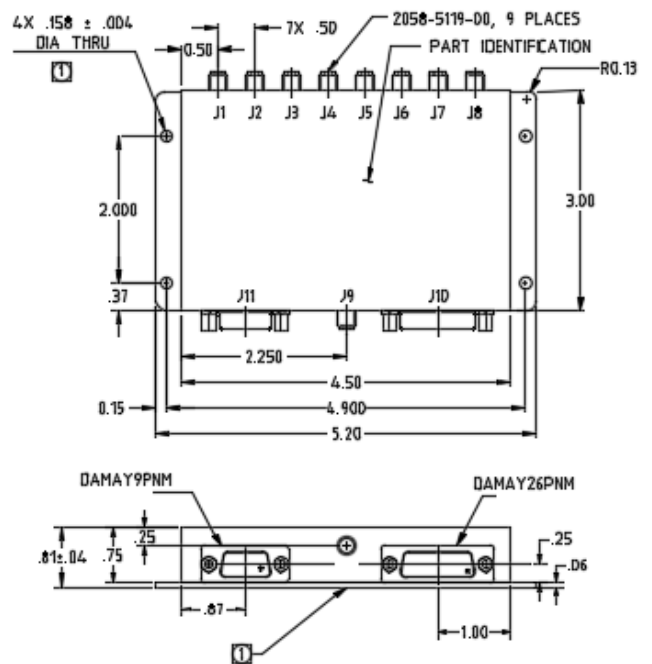
### APPLICATIONS: RADAR SYSTEM



### FUNCTIONAL BLOCK DIAGRAM



### OUTLINE DRAWING



### PRODUCT SPECIFICATION

Parameter	Min.	Typ.	Max.	Units	
Frequency	250		500	MHz	
DC Current		130	400	mA	+5.0VDC
		20	350	mA	-5.25VDC
Control Type		TTL			Opto-Coupler: "0"=Thru "1"=Isolation
Control Current:	High	0	10	mA	VIH= +5.0V
	Low	0	1	mA	VIL= +0.5V
Insertion Loss		0.58	2.0	dB	
Isolation	50	80		dB	
VSWR	THRU	1.13:1	2.0:1		
	Termination	1.06:1	2.0:1		
Impedance		50		$\Omega$	
Switching Speed		140	750	nsec	50% TTL to 90%/10% RF
Transition (Rise/Fall) Time		6	50	nsec	10% / 90% or 90% / 10% RF
RF Power Operation	12	23		dBm	P1dB
RF Power Max.			+17	dBm	No Damage
Temperature	-46	+25	+85	$^{\circ}\text{C}$	Ta

### TYPICAL PERFORMANCE

