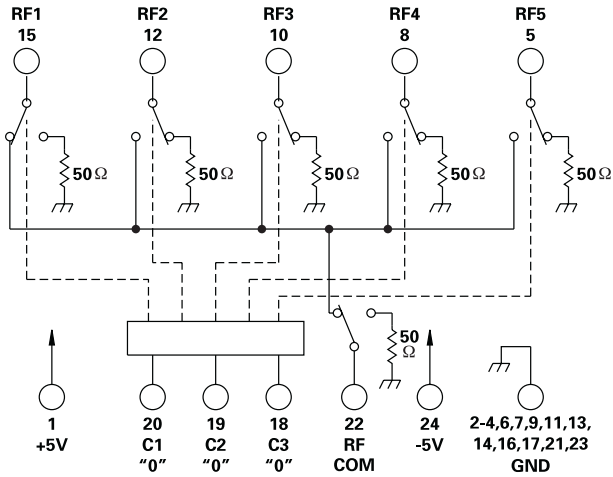
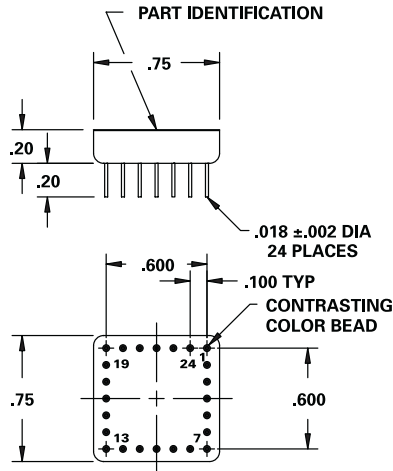


MODEL NUMBER
CSW52216

Switch SP5T

- FEATURES**
- 1-2800 MHz
 - 65 dB Isolation
 - +40 dB 3rd Order Intercept Point

SP5T



LOGIC TABLE

| CONTROL INPUT | | | RF COM |
|---------------|----|----|----------------------------------|
| C3 | C2 | C1 | T0 |
| 0 | 0 | 0 | RF1 |
| 0 | 0 | 1 | RF2 |
| 0 | 1 | 0 | RF3 |
| 0 | 1 | 1 | RF4 |
| 1 | 0 | 0 | RF5 |
| 1 | 0 | 1 | ALL OFF - NO TERM@ COMMON PORT |
| 1 | 1 | 0 | ALL OFF - NO TERM@ COMMON PORT |
| 1 | 1 | 1 | ALL OFF - COMMON PORT TERMINATED |

GUARANTEED PERFORMANCE

| Parameter | Min | Typ | Max | Units | Conditions |
|------------------------------|------------|------------|-------------------|-------------------|--|
| Operating Frequency | 1 | | 2800 | MHz | |
| DC Current | | | 10 10 | mA mA | At +5 VDC Supply At -5 VDC Supply |
| Control Type | | | TTL | | See Table |
| Control Current | | | ±1 ±1 | µA µA | V _{IH} = +2.7 V V _{IL} = +0.5 V |
| Insertion Loss | | | 2 3 | dB dB | 1 - 700 MHz 700 - 2800 MHz |
| Isolation | 60 | 65 | | dB | |
| VSWR | | Thru | 1.4/1 | | |
| Impedance | | | 50 | OHMS | |
| Switching Speed | | | 1 | µSec | 50% TTL to 90% / 10% RF |
| Transition (Rise/Fall) Time | | | 30 | nSec | 10% / 90% or 90% / 10% |
| Switching (Video) Transients | | | 50 | mV | Peak Value |
| Intercept Points | 2nd 3rd | +70 +40 | | dBm dBm | |
| RF Power | | | +13 +17 +27 | dBm dBm dBm | 1 - 300 MHz 300 - 2800 MHz No Damage |
| Operating Temperature | -20 | +25 | +70 | °C | TA |
| Storage Temperature | -45 | | +85 | °C | TA |

