

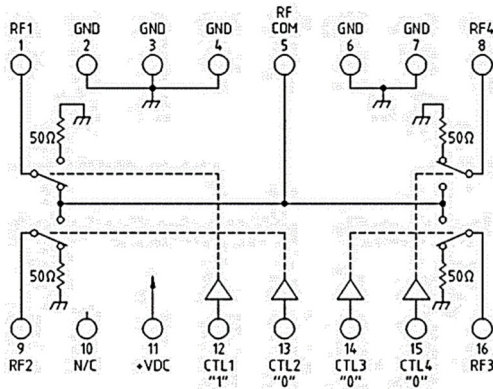
FEATURES

- Frequency Range: 50 – 100 MHz
- Low Insertion Loss: 0.65dB
- Fast Switching Speed: 32nsec
- VDC Supply: +8V
- CMOS Logic: 4 line
- Non-Reflective
- 16 Pin Flat Pack Package
- GaAs Switching component

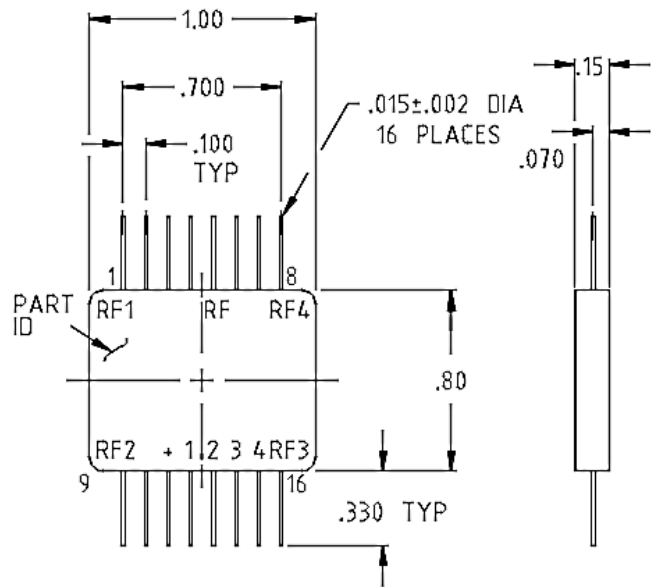
APPLICATIONS: Military Aircraft, General Purpose SP4T



FUNCTIONAL BLOCK DIAGRAM



OUTLINE DRAWING



PRODUCT SPECIFICATION

Parameter	Min.	Typ.	Max.	Units		
Frequency	50		100	MHz	10-1000MHz Operational	
DC Current		0.02	1	mA	+8VDC Supply	
Control Type	CMOS				"1" = Thru; "0" = Isolation	
Control Current:	High	0	±10	µA	VIH= +8.0V VIL= +0.3V	
	Low	0	±10	µA		
Insertion Loss		0.65	1.2	dB		
Isolation	42	50		dB		
VSWR	THRU	1.15:1	1.4:1		Internal 50Ω	
	Termination	1.15:1	1.4:1			
Impedance		50		Ω		
Switching Speed		32	150	nsec	50% CTL to 90%/10% RF	
Transition (Rise/Fall) Time		8		nsec	10% / 90% or 90% / 10%RF	
Switching (Video) Transients		36		mV	Peak to Peak	
Intercept Points	2 nd	58		dBm	2 - Tone, 75 MHz ± 0.5 MHz	
	3 rd	42		dBm		
RF Power	Operation	20	23	dBm	P1dB	
RF Power	Max.		26	dBm	No Damage	
Temperature		-55	+25	+85	°C	Ta

TYPICAL PERFORMANCE

