

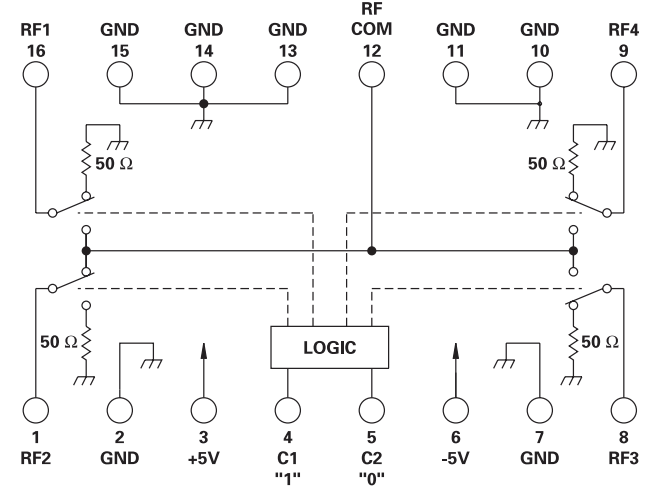
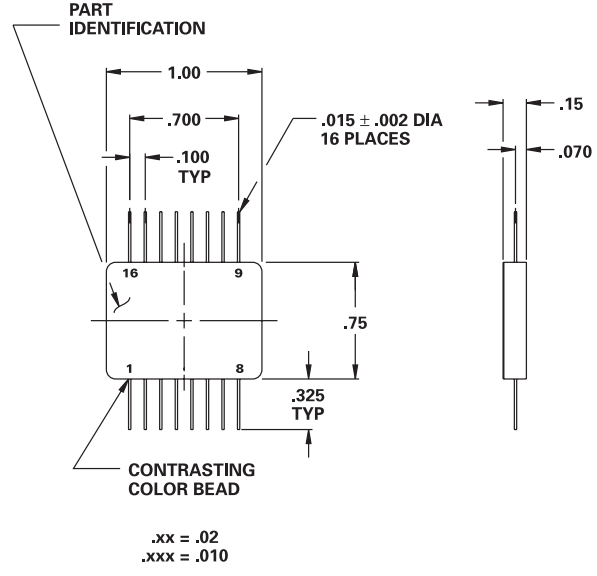
MODEL NUMBER CSW48051

Switch SP4T

FEATURES

- 20-2800 MHz
- +46 dBm 3rd Order Intercept Point
- 100 nSec Switching Speed
- Flat Pack
- 43 dB Isolation

SP4T



LOGIC TABLE		
CONTROL INPUT		RF COM TO
C2	C1	
0	0	RF1
0	1	RF2
1	0	RF3
1	1	RF4

GUARANTEED PERFORMANCE

Parameter	Min	Typ	Max	Units	Conditions
Operating Frequency	20		2800	MHz	
DC Current		7.10	20	mA	At +5 VDC Supply
		0.15	10	mA	At -5 VDC Supply
Control Type		TTL			See Table
Control Current		±1.0	±10	µA	V _{IH} = +2.7 V
		±1.0	±10	µA	V _{IL} = +0.5 V
Insertion Loss		1	1.5	dB	20 - 500 MHz
		1.2	2	dB	500 - 1000 MHz
		1.8	2.5	dB	1000 - 2800 MHz
Isolation	40		43	dB	
VSWR		1.19/1	1.4/1		
		1.36/1	1.4/1		
Impedance		50		OHMS	
Switching Speed		30	100	nSec	50% TTL to 90% / 10% RF
Switching (Video) Transients		78		mV	Peak Value
Intercept Points		+60	+77	dBm	60 / 35 MHz
		+30	+46	dBm	30 / 35 MHz
RF Power		+21	+20	dBm	0.1 dB Compression
		-20	+70	dBm	
Operating Temperature	-20	+25	+27	°C	TA
Storage Temperature	-45		+85	°C	TA

