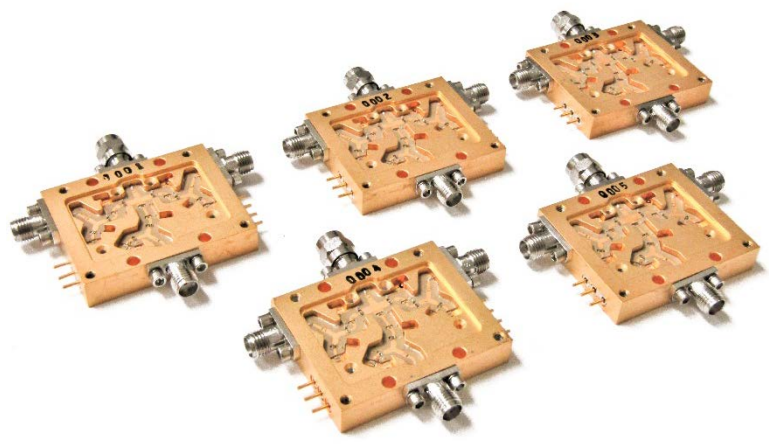
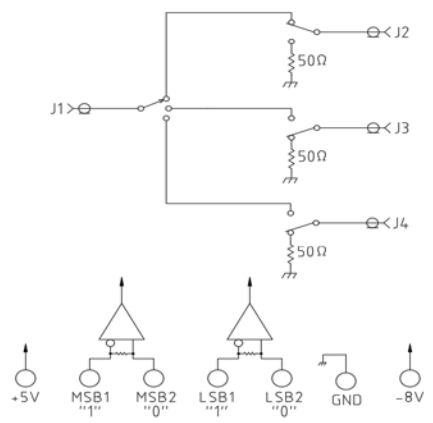


FEATURES

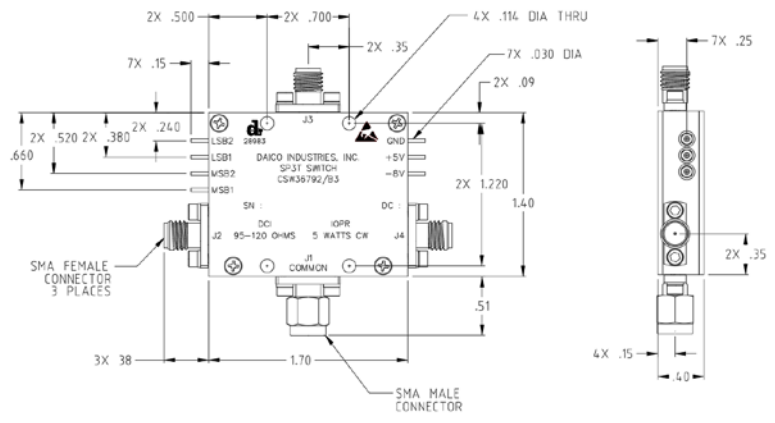
- SMA Connectors
- Frequency Range: 8–12 GHz
- Low Insertion Loss: 2.0dB Typical
- High Isolation: 71dB Typical
- VSWR: 1.4:1 Typical
- RF Power Operating: 5 Watt CW
- VDC Supply: +5V at 50mA Typical
-8V at 64mA Typical
- Fast Switching Speed: 38nS On/Off Typical

APPLICATIONS: Military Radar & Communications

FUNCTIONAL BLOCK DIAGRAM



OUTLINE DRAWING



PRODUCT SPECIFICATION

Parameter	Min	Typ	Max	Units	
Frequency	8		12	GHz	
DC Current		50	100	mA	+5VDC Supply
		64	100	mA	-8VDC Supply
Insertion Loss		2.0	2.5	dB	
Thru Phase Match			±10	deg	Port to Port
Group Delay		382.8	±2.8	psec	10 GHZ
Isolation	60	71		dB	
VSWR		1.30:1	1.50:1		
VSWR, TERM		1.30:1	1.50:1		
Impedance		50		Ω	
Switching Speed		38	50	nsec	
Transition Time		7	20	nsec	Rise or Fall
RF Power Operating			5	Watt	CW
			10	Watt	No Damage
Control Type					4 Line RS422 Internal 100Ω
Control Logic	'MSB,LSB' where				'00' = J1 to J2
	'0' := xSB2-xSB1 ≤ 0.2V				'01' = J1 to J3
	'1' := xSB2-xSB1 ≥ 0.2V				'10' = J1 to J3
Temperature	-46	+25	+70	°C	Ta

TYPICAL PERFORMANCE

