

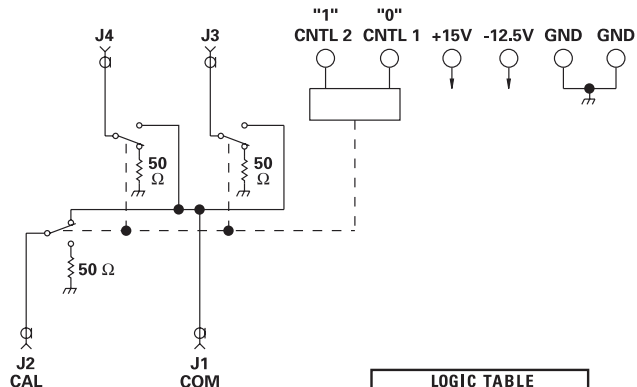
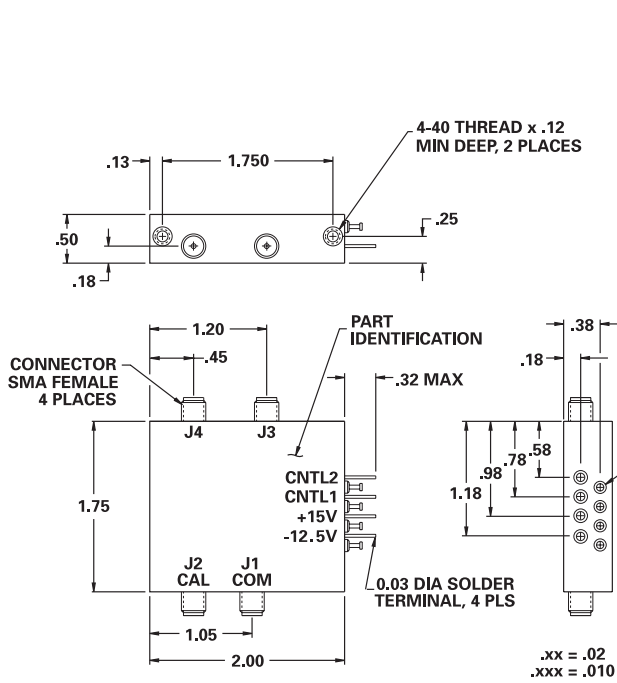
**MODEL NUMBER
CSW36333**

GaAs SP3T

- FEATURES**
- 2-2500 MHz
 - 70 dB Isolation
 - ± 0.1 dB Amplitude Tracking Port-to-Port

- ± 0.5 Degrees Phase Tracking Port-to-Port
- All-Off-State

SP3T



LOGIC TABLE		
Input Ctrl		Function
Ctrl 1	Ctrl 2	
0	0	All Off
0	1	J1 - J2
1	0	J1 - J3
1	1	J1 - J4

GUARANTEED PERFORMANCE

Parameter	Min	Typ	Max	Units	Conditions
Operating Frequency	2		2500	MHz	
DC Current		11	30	mA	At +15 VDC Supply
		5	30	mA	At -12.5 VDC Supply
Control Type		TTL			2 Line, See Logic Chart
Control Current	High	± 1.0	20	μ A	V _{IH} = +2.7V
	Low	± 1.0	-400	μ A	V _{IL} = +0.5V
Isolation	50	70		dB	
Insertion Loss	1.40	1.7	3	dB	2 - 1000 MHz
	2.15			dB	1000 - 2500 MHz
Amplitude Balance	± 0.1	± 0.3		dB	Reference between the Calibration Port and any Input Port of the Switch
Phase Tracking: Port to Port (Max Differential)	± 0.5	2	10	DEG	2 - 1000 MHz
	± 1.5			DEG	1000 - 2500 MHz
VSWR	Thru	1.25/1	1.4/1		
	Termination	1.1/1	1.5/1		
Impedance		50		OHMS	
Switching Speed		3.7	10	μ SEC	50% TTL to 90% / 10% RF
Transition (Rise/Fall) Time		1.5	10	μ SEC	10% / 90% or 90% / 10% RF
Switching (Video) Transients	0.18	0.30	1.0	V	Com when Switched to All Off
Intercept Points	2nd	+73	+88	dBm	1.3 MHz / 2.3 MHz
	3rd	+38	+47	dBm	1.3 MHz / 1.6 MHz
RF Power	Operate	+28	+20	dBm	0.1 dB Compression
	No Damage		+30	dBm	
Operating Temperature	-55	+25	+85	$^{\circ}$ C	TA

