

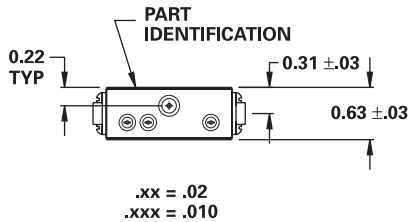
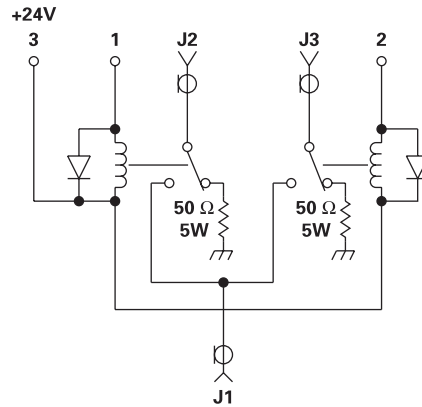
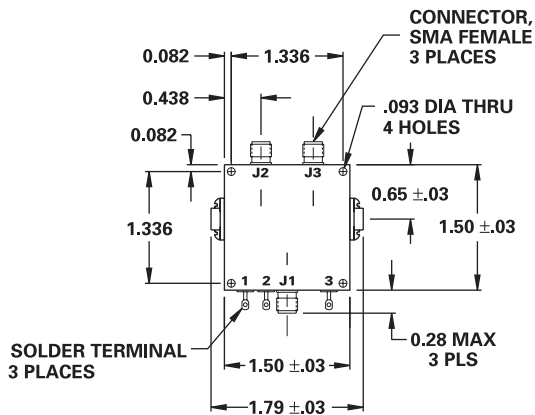
# MODEL NUMBER CSW29289

## Switch SP2T

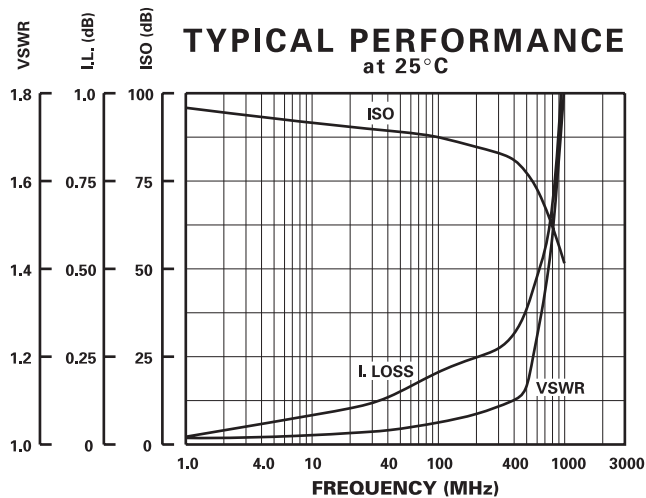
### FEATURES

- 225-440 MHz
- 5 Watts CW
- 0.27 dB Insertion Loss
- 76 dB Isolation
- +24 Volts Supply
- Non-Reflective

### SP2T



LOGIC TABLE		
Terminal No		RF Path
1	2	
Open	GND	J1 to J3
GND	Open	J1 to J2
Open	Open	J2 and J3 Terminated to Load
GND	GND	Not Allowed



### GUARANTEED PERFORMANCE

Parameter	Min	Typ	Max	Units	Conditions
Operating Frequency	225		440	MHz	
DC Current		15	21	mA	At +24 VDC Supply
Insertion Loss		0.27	0.35	dB	240 - 270 MHz
Isolation	45	76		dB	
VSWR		1.08/1	1.2/1		225 - 440 MHz
Impedance		50		OHMS	
Switching Speed		2.2	5	mSec	
RF Power			5	W	
Operating Temperature	0	+25	+75	°C	TA



DAICO Industries

310.507.3242 • FAX 310.507.5701 • www.daico.com