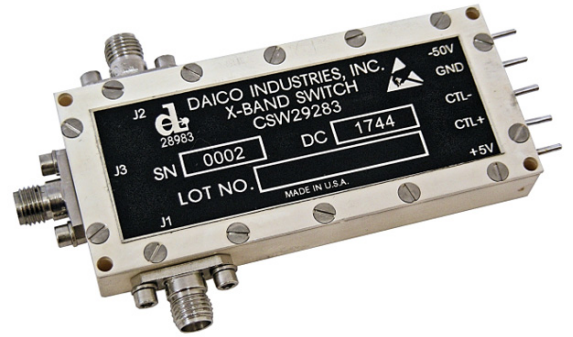
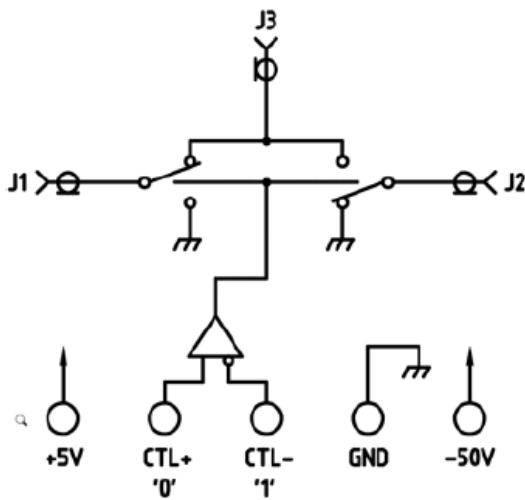


### FEATURES

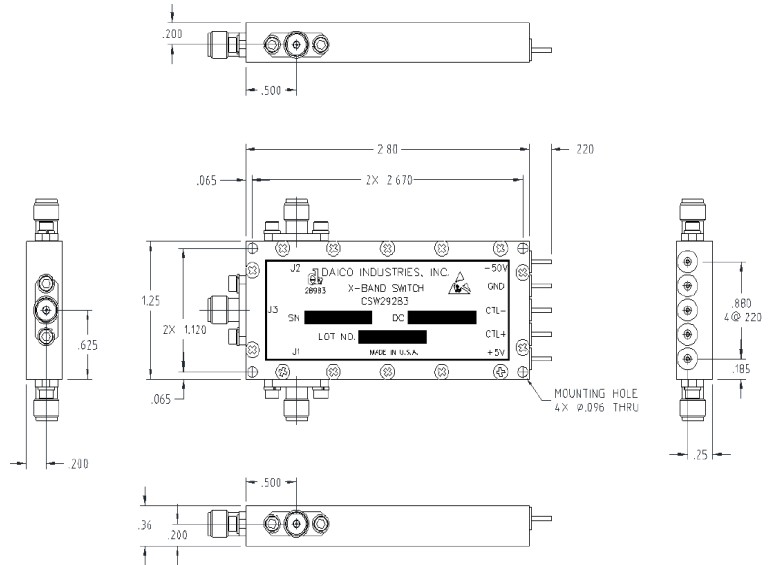
- Frequency Range: 8 to 12 GHz
- Switching Speed: 500 ns
- High Isolation: 49 dB
- VDC Supply: +5V and -50V
- Differential TTL Driver
- Non-Reflective

**APPLICATIONS:** Weather Radar, Military Aircraft Communication Systems, Test Equipment

### FUNCTIONAL BLOCK DIAGRAM



### OUTLINE DRAWING



### PRODUCT SPECIFICATION

Parameter	Min.	Typ.	Max.	Units	
Frequency	8		12	GHz	
DC Current		50	75	mA	+5VDC Supply
		10	20	mA	-50VDC Supply
Control Type		D-TTL			RS-422/485
Control Logic	CTL+<CTL-		±100	µA	THRU J1-J3
	CTL+>CTL-		±100	µA	THRU J2-J3
Isolation	40	49		dB	
Insertion Loss		0.9	1.3	dB	
VSWR	Thru	1.5:1	2:1		
	Termination	1.5:1	2:1		
Impedance		50		Ω	
Switching Speed		0.5	1	uSec	50% TTL to 90%/10% RF
Transition (Rise/Fall) Time		100		nSec	10%/90% or 90%/10%RF
Switching (Video) Transients		2		Vpp	
RF Power	Operate		100	Watts	Peak
			10	%	Duty Cycle
	Damage		100	uSec	Pulse Width
Temperature	-46	+25	+85	°C	Ta

### TYPICAL PERFORMANCE

