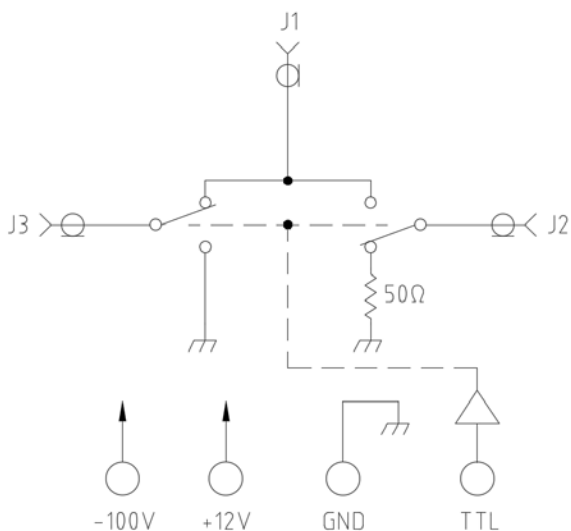


FEATURES

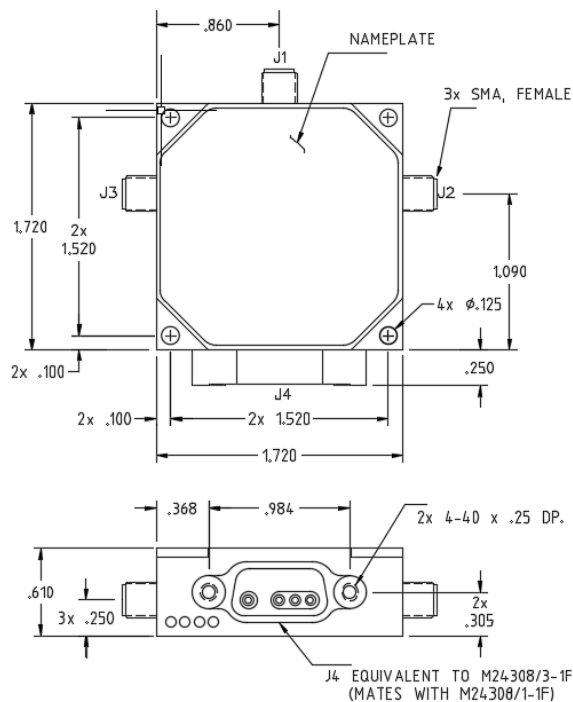
- Frequency Range: 570 - 2500 MHz
- Fast Switching Speed: 1.2 μ Sec
- VDC Supply: +12V/-100V
- TTL Control: Tx J3 to J1, Rx J1 to J2
- T/R Switch: 75 Watts CW Transmit with 3:1 Load, Cold Switching
- PIN Diode Switching

APPLICATIONS: JAMMER SYSTEM

FUNCTIONAL BLOCK DIAGRAM



OUTLINE DRAWING



PRODUCT SPECIFICATION

| Parameter | Min. | Typ. | Max. | Units | |
|------------------|----------------------------|-------------------------|------------------------|--------------------|--|
| Frequency | 570 | | 2500 | MHz | |
| DC Current | | 113 3 | 150 20 | mA mA | +12VDC -100VDC |
| Control Type | | TTL='1' TTL='0' | | | TX J1 TO J3 RX J1 TO J2 |
| Control Current: | High Low | 1 1 | \pm 100 \pm 100 | μ A μ A | VIH= +2.7V TX VIL= +0.5V RX |
| Insertion Loss | | 0.58 | 2.0 | dB | |
| Isolation | 20 60 | 39 67 | | dB dB | AT J3 AT J2 |
| VSWR | THRU J2 Term J3 Term | 1.25:1 1.40:1 INF | 1.5:1 2.0:1 | | REFLECTIVE |
| Impedance | | 50 | | Ω | |
| Switching Speed | | 1.2 | 2 | usec | 50% TTL to 90%/10% RF |
| RF Input Power | TX RX | | 75 0.1 | Watt Watt | J3 CW 3:1 Load Cold Switching J2 |
| Operating Temp | | -46 +25 +85 | | $^{\circ}$ C | Ta |

TYPICAL PERFORMANCE

