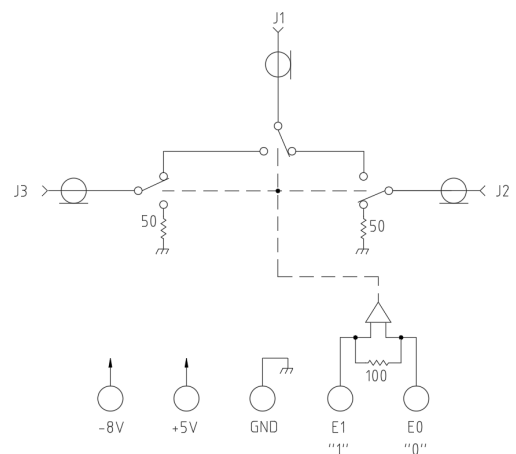


### FEATURES

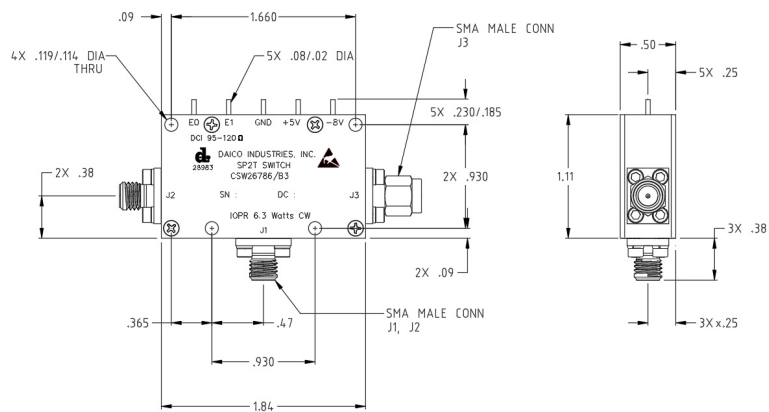
- SMA Female and Male Connectors
- Frequency Range: 8–12 GHz
- Low Insertion Loss: 1.6dB Typical
- High Isolation: 86dB Typical
- VSWR: Low 1.25:1 Typical
- RF Power Operating: 6.3 Watt CW
- VDC Supply: +5V at 15mA Typical  
-8V at 26mA Typical
- Fast Switching Speed: 38nS On/Off Typical

### APPLICATIONS: Military Radar & Communications

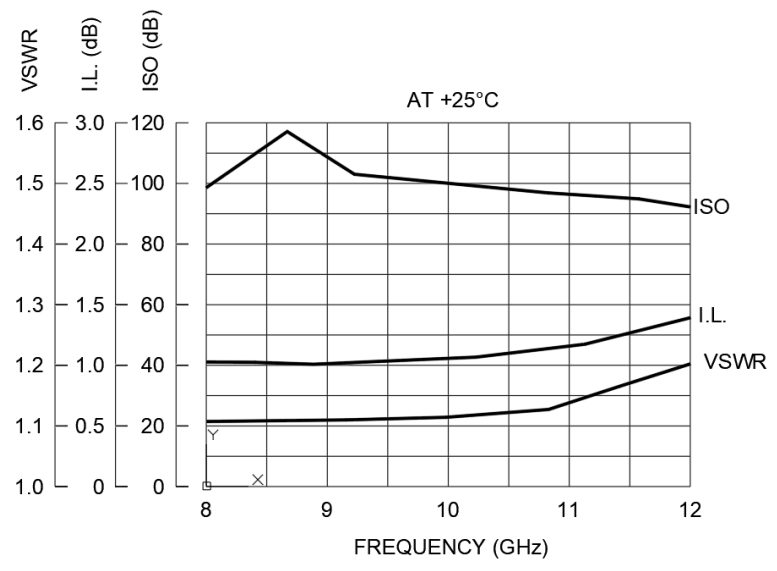
### FUNCTIONAL BLOCK DIAGRAM



### OUTLINE DRAWING



### TYPICAL PERFORMANCE



### PRODUCT SPECIFICATION

Parameter	Min	Typ	Max	Units	
Frequency	8	12	12	GHz	
DC Current		15	50	mA	+5VDC Supply
		26	80	mA	-8VDC Supply
Insertion Loss		1.6	2	dB	
Thru Phase Match			±2	deg	Port to Port
Group Delay		297.3	±2.8	psec	J1/J2 10 GHz
		308.1	±2.8	psec	J1/J3 10 GHz
Isolation	70	86		dB	
VSWR		1.25:1	1.30:1		
VSWR, TERM		1.25:1	1.30:1		
Impedance		50		Ω	
Switching Speed		38	50	nsec	
Transition Time		7	20	nsec	Rise or Fall
RF Power Operating			6.3	Watt	CW
			10	Watt	No Damage
Control Type					2 Line RS422 Internal 100Ω
Control Logic		E1-E0 ≤ -0.2VDC			'0' = J1 to J2
		E1-E0 ≥ +0.2VDC			'1' = J1 to J3
Temperature	-46	+25	+70	°C	Ta