

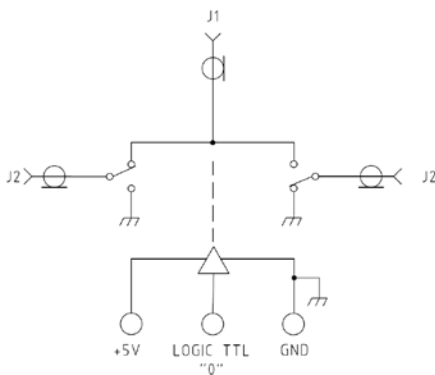
FEATURES

- SMA Connectors
- Frequency Range: 8–12 GHz
- Low Insertion Loss: 1.6dB Typical
- High Isolation: 66dB Typical
- RF Power Operating: 1 Watt CW
- DC Supply: +5V at 15mA Typical
- TTL Control, 1 Line, SMC Connector
- Fast Switching Speed: 40nS On/Off Typical
- Reflective when off

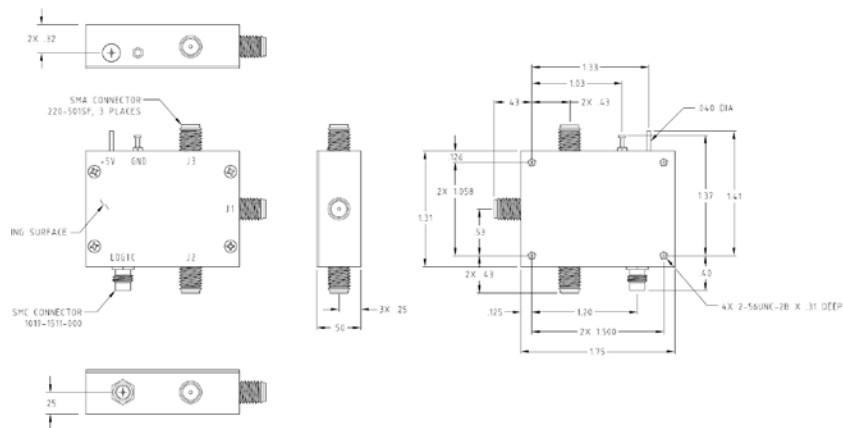


APPLICATIONS: Military Radar & Communications

FUNCTIONAL BLOCK DIAGRAM



OUTLINE DRAWING



PRODUCT SPECIFICATION

Parameter	Min	Typ	Max	Units	
Frequency	8		12	GHz	
DC Current		15	35	mA	+5VDC Supply
Insertion Loss	1.2	1.6	2	dB	9-10 GHz
		1.8	2.2	dB	8-12 GHz
Isolation	50	66		dB	
VSWR		1.25:1	2.00:1		THRU
VSWR, TERM			INF		REFLECTIVE
Impedance		50		Ω	
Switching Speed		40	75	nsec	50% TTL to 90%/10% RF
RF Power Operating			1	Watt	CW
Control Type			±10	uA	1 Line TTL
Control Logic					'0' = J1 to J2 '1' = J1 to J3
Temperature	-46	+25	+85	°C	Ta

TYPICAL PERFORMANCE

