

### FEATURES

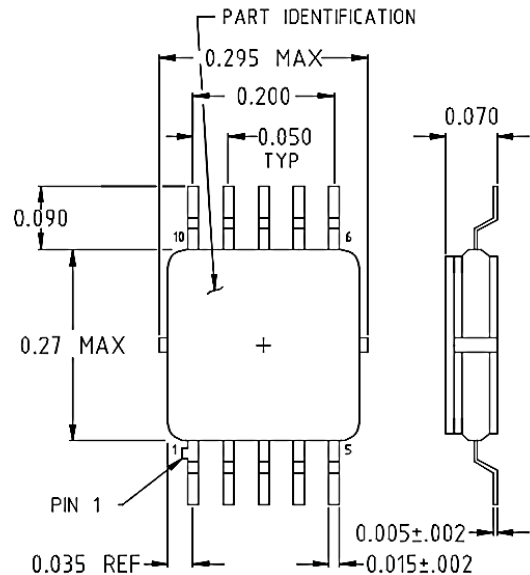
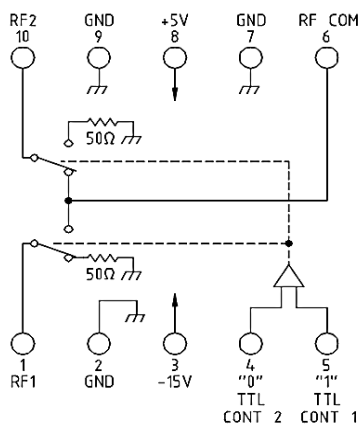
- Frequency Range: 50 – 1100 MHz
- Fast Switching Speed: 80nsec
- VDC Supply: +5V
- TTL Control
- Non-Reflective
- 10 Pin Surface Mount Package
- GaAs Switching component



**APPLICATIONS:** Military Aircraft, General Purpose Broadband SP2T

### OUTLINE DRAWING

### FUNCTIONAL BLOCK DIAGRAM



### PRODUCT SPECIFICATION

Parameter	Min.	Typ.	Max.	Units		
Frequency	50		1100	MHz		
DC Current		0.3	20	mA	+5VDC Supply	
		2.0	20	mA	-15VDC Supply	
Control Type		TTL				
Control Current:	High	0	±1.0	µA	VIH= +2.7V	
	Low	0	±1.0	µA	VIL= +0.5V	
Insertion Loss		1.3	2.0	dB		
Isolation		60	72	dB	50-300 MHz	
		40	49	dB	300-1100 MHz	
VSWR	THRU		1.25:1	1.5:1		
	Termination		1.3:1	1.5:1		
Impedance		50		Ω		
Switching Speed		80	150	nsec	50% TTL to 90%/10% RF	
Transition (Rise/Fall) Time		60	80	nsec	10% / 90% or 90% / 10%RF	
Switching (Video) Transients		9		mV	Peak to Peak	
Intercept Points	2 <sup>nd</sup>		52		dBm	50-70 MHz
	3 <sup>rd</sup>		35		dBm	35-50 MHz
RF Power	Operation		16	20	dBm	P1dB
RF Power	Max.			20	dBm	No Damage
Temperature		-40	+25	+85	°C	Ta

### TYPICAL PERFORMANCE

