

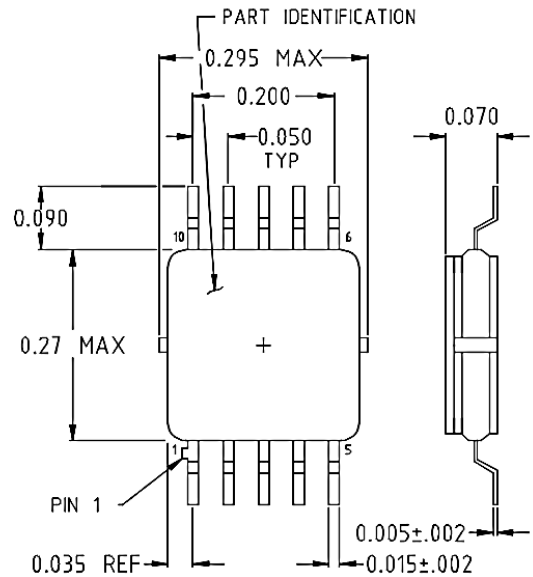
FEATURES

- Frequency Range: 50 – 1100 MHz
- Fast Switching Speed: 80nsec
- VDC Supply: +5V
- TTL Control
- Non-Reflective
- 10 Pin Surface Mount Package
- GaAs Switching component

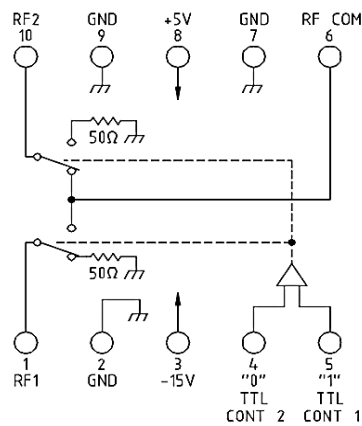
APPLICATIONS: Military Aircraft, General Purpose Broadband SP2T



OUTLINE DRAWING



FUNCTIONAL BLOCK DIAGRAM



PRODUCT SPECIFICATION

| Parameter | Min. | Typ. | Max. | Units | |
|------------------------------|-----------------|--------|-------|-------|--------------------------|
| Frequency | 50 | | 1100 | MHz | |
| DC Current | | 0.3 | 20 | mA | +5VDC Supply |
| | | 2.0 | 20 | mA | -15VDC Supply |
| Control Type | | TTL | | | |
| Control Current: | High | 0 | ±1.0 | µA | VIH= +2.7V |
| | Low | 0 | ±1.0 | µA | VIL= +0.5V |
| Insertion Loss | | 1.3 | 2.0 | dB | |
| Isolation | | 60 | 72 | dB | 50-300 MHz |
| | | 40 | 49 | dB | 300-1100 MHz |
| VSWR | THRU | 1.25:1 | 1.5:1 | | |
| | Termination | 1.3:1 | 1.5:1 | | |
| Impedance | | 50 | | Ω | |
| Switching Speed | | 80 | 150 | nsec | 50% TTL to 90%/10% RF |
| Transition (Rise/Fall) Time | | 60 | 80 | nsec | 10% / 90% or 90% / 10%RF |
| Switching (Video) Transients | | 9 | | mV | Peak to Peak |
| Intercept Points | 2 nd | 52 | | dBm | 50-70 MHz |
| | 3 rd | 35 | | dBm | 35-50 MHz |
| RF Power | Operation | 15 | 16 | dBm | P1dB |
| RF Power | Max. | | 20 | dBm | No Damage |
| Temperature | | -40 | +25 | +85 | °C Ta |

TYPICAL PERFORMANCE

