



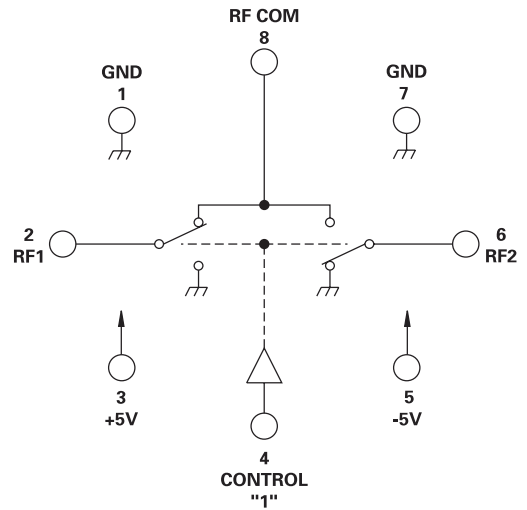
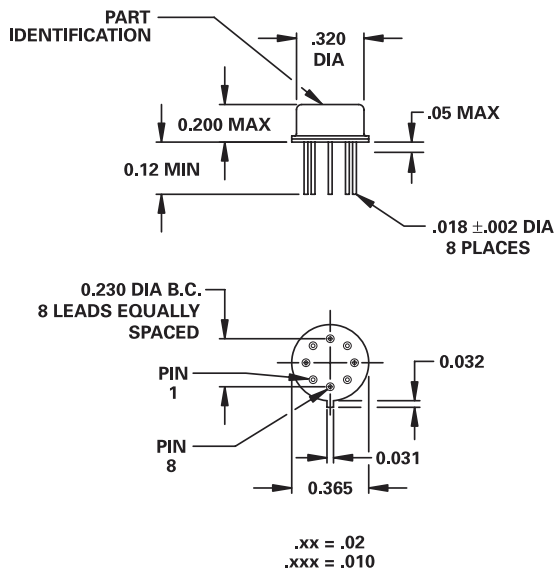
**MODEL NUMBER
CSW22223**

Switch SP2T

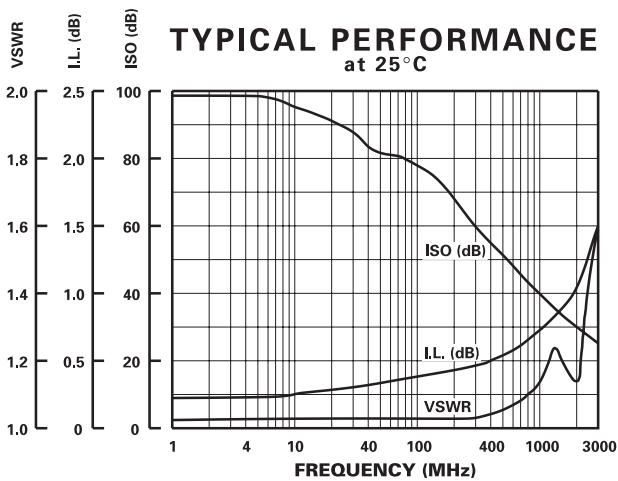
FEATURES

- 450-950 MHz
- +47 dB 3rd Order Intercept Point
- 8 mV Switching Transients
- TO- Package

SP2T



LOGIC TABLE	
TTL CONTROL	THRU PATH
0	RF COM TO RF2
1	RF COM TO RF1



GUARANTEED PERFORMANCE

Parameter	Min	Typ	Max	Units	Conditions
Operating Frequency	450		950	MHz	
DC Current		2	4	mA	At +5 VDC Supply
		1	2	mA	At -5 VDC Supply
Control Type		TTL			1 Line Logic "1" = RF Com to RF1
Control Current	High	1	±40	µA	V _{IH} = +2.7 V
	Low	1	+40	µA	V _{IL} = +0.5 V
Insertion Loss		0.6	0.9	dB	
Isolation	35	39		dB	
VSWR		1.2	1.4/1		
Impedance		50		OHMS	
Switching Speed		65	150	nSec	50% TTL - 90% / 10% RF
Transition (Rise/Fall) Time		27	30	nSec	10% / 90% - 90% / 10% RF
Switching (Video) Transients		8	45	mV	Peak Value
Intercept Points	2nd	+50	+85	dBm	500 MHz / 510 MHz
	3rd	+35	+47	dBm	500 MHz / 510 MHz
RF Power	Operate		+21	dBm	1 dB Compression
	No Damage		+23	dBm	
Operating Temperature	-55	+25	+105	°C	TA