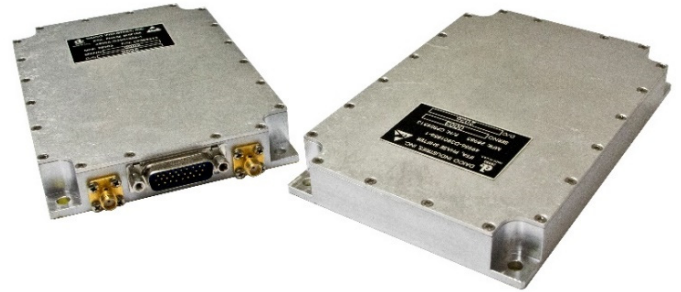
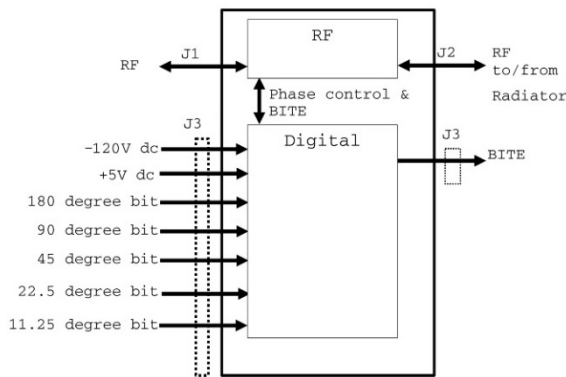


FEATURES

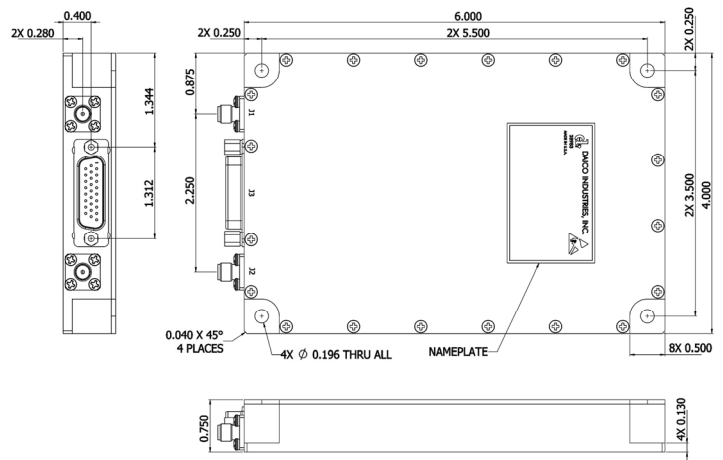
- Frequency Range: 1030 – 1090 MHz
- Insertion Loss: 1.0-1.8dB Max
- Phase Bit: 11.25°, 22.5°, 45°, 90°, 180°
- Power Handling: 2kW Max
- Return Loss: 1.5:1 Max
- Switching Speed: 3µs Max
- Operation Voltages: -120VDC & +5VDC
- Operation Temp: -46°C to +105°C
- BIT Output: Open/Short Faults
- Small Profile and Light Weight

APPLICATIONS: IFF Radar Antenna

FUNCTIONAL BLOCK DIAGRAM



OUTLINE DRAWING



PRODUCT SPECIFICATION

Parameter	Min.	Typ.	Max.	Units	
Frequency	1024	1030	1036	MHz	Transmit
	1084	1090	1096	MHz	Receive
Input Power			63	dBm	PW=32µs, PP=1.67ms, DF=2%
Output Power		61.6		dBm	PW=32µs, PP=1.67ms, DF=2%
DC Current:	+5V		1.5	A	5KHz PRF
	-120V		0.045	A	
Phase:	Steps			DEG	11.25°, 22.5°, 45°, 90°, 180°
	Accuracy		±6	DEG	From BFSL
	Error		3.0	DEG	rms
Switching speed			3	µsec	50% TTL, within 2° of Final Phase
Switching Transients			0.05	V	Peak Value
Insertion Loss	0.7		1.2	dB	-46°C to +105 °C
VSWR		1.4:1	1.5:1		
Impedance		50		Ω	
Temperature	-46		105	°C	

TYPICAL PERFORMANCE

