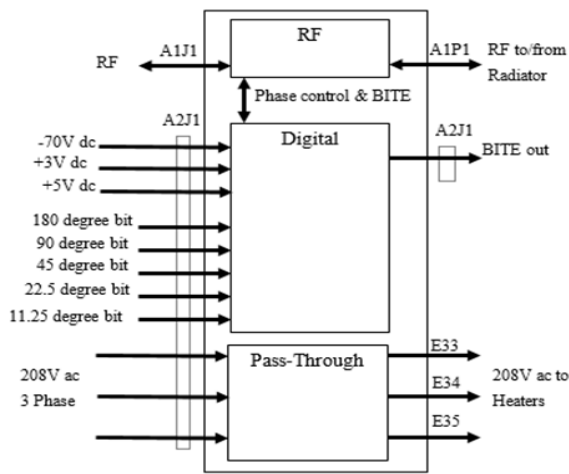


### FEATURES

- Frequency Range: 1030 – 1090 MHz
- Insertion Loss: 0.9-2.1dB Max
- Phase Bit: 11.25°, 22.5°, 45°, 90°, 180°
- Power Handling: 1kW Max
- Return Loss: 1.7:1 Max
- Switching Speed: 3µs Max
- Built in test circuit
- Mechanical Phase Trimmer

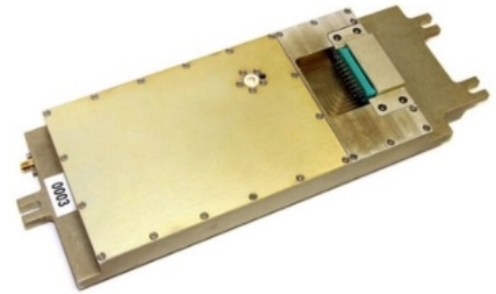
### APPLICATIONS: IFF Radar

### FUNCTIONAL BLOCK DIAGRAM

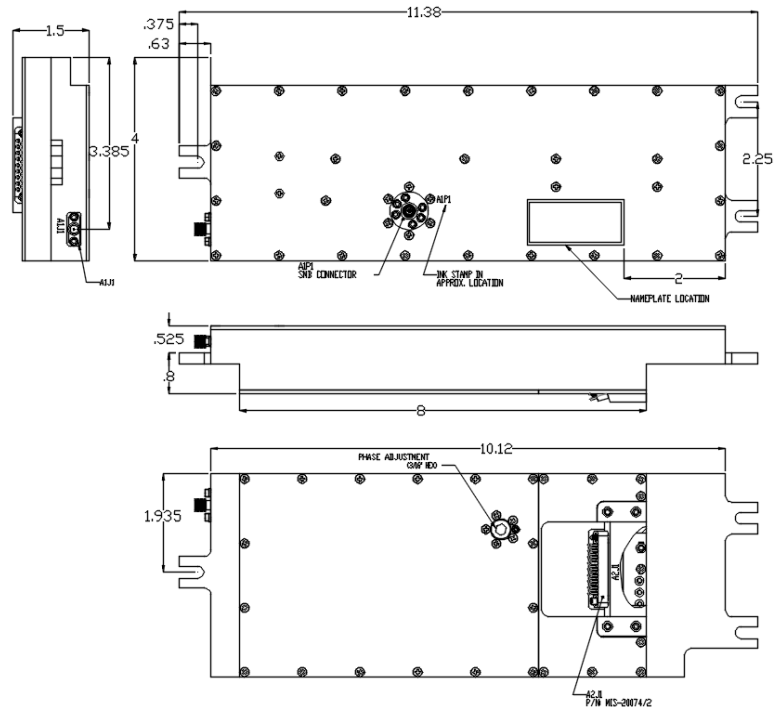


### PRODUCT SPECIFICATION

Parameter	Min.	Typ.	Max.	Units	
Frequency	1024	1030	1036	MHz	Transmit
	1084	1090	1096	MHz	Receive
Input Power			60	dBm	PW=20µs, PP=2ms, DF=1%
Input Power			58.75	dBm	PW=32µs, PP=2ms, DF=1.6%
DC Current:	+3V		1.5	A	
	-70V		0.047	A	
	+5V		1.1	A	
Phase:	Steps			DEG	11.25°, 22.5°, 45°, 90°, 180°
	Accuracy			DEG	±6°
	Linearity		1.5	3.0	DEG
Switching speed			3	µsec	50% TTL, within 2° of Final Phase
Switching Transients			0.5	V	Peak Value
Insertion Loss	0.9		2.1	dB	AT +25 °C
VSWR		1.2:1	1.7:1		
Impedance		50		Ω	
Temperature	-32		71	°C	



### OUTLINE DRAWING



### TYPICAL PERFORMANCE

