

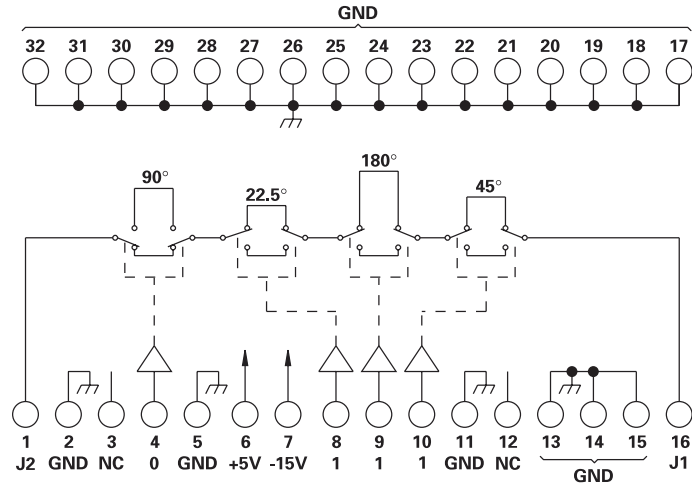
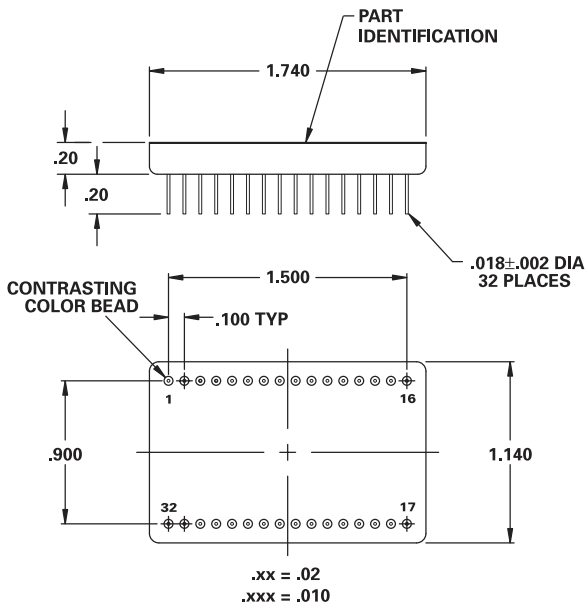
# MODEL NUMBER CPS42127

## Phase Shifter 4 Section

### FEATURES

- 1215 - 1400 MHz
- 22.5° LSB, 337.5° Range
- TTL Driver

4 BIT



NC = NO CONNECTION

### GUARANTEED PERFORMANCE

Parameter	Min	Typ	Max	Units	Conditions	
Operating Frequency	1215		1400	MHz		
DC Current		8 75	250 200	mA	At +5 VDC Supply At -15 VDC Supply	
Control Type		TTL			4 Lines Logic "0" = Refer Phase Logic "1" = Phase Shift	
Control Current	High Low	0 0	±20 ±20	µA	V <sub>IH</sub> = +5.0V V <sub>IL</sub> = +0.8 V	
Insertion Loss	1.05 0.80	1.9	2.55 2.80	dB	At 20° C At Temperature Extremes	
Phase:	Steps Range Accuracy Linearity	22.5 337.5	±6	DEG	22.5, 45, 90, 180 At 1215 MHz	
VSWR		1.25/1	1.5/1		1215 - 1400 MHz	
Impedance		50		OHMS		
Time Delay		650	850	1.050	SEC	
Switching Speed		.660	3.5	µSEC	50% TTL to 90% / 10% RF	
Transition (Rise/Fall) Time		.043		µSEC	10% / 90% or 90% / 10% RF	
Switching (Video) Transients		36		mV	Peak Value	
Intercept Points	2nd 3rd	+64 +42		dBm	575 / 400 MHz 287.5 / 400 MHz	
RF Power	Operate No Damage	+28	+10 +30	dBm	0.1 dB Compression	
Operating Temperature		-54	+25	+80	°C	TA

