

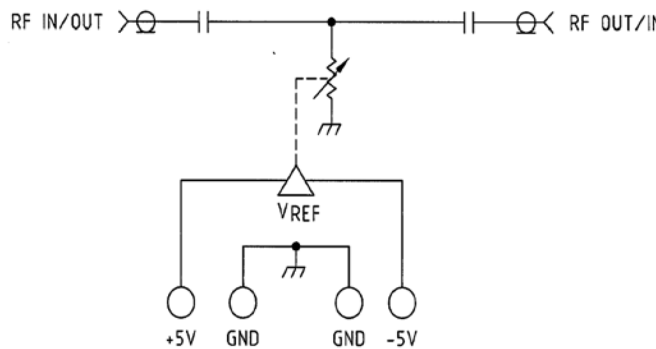
**FEATURES**

- Frequency Range: 0.1 – 32 MHz
- Low Insertion Loss 0.2dB Typical
- VSWR: Low 1.10:1 Typical
- 5 Watt CW Input Power
- Low Leakage +25dBm Typical
- P1dB +20dBm Typical
- High Intercept Points OIP3 +49dBm
- Hermetically Sealed

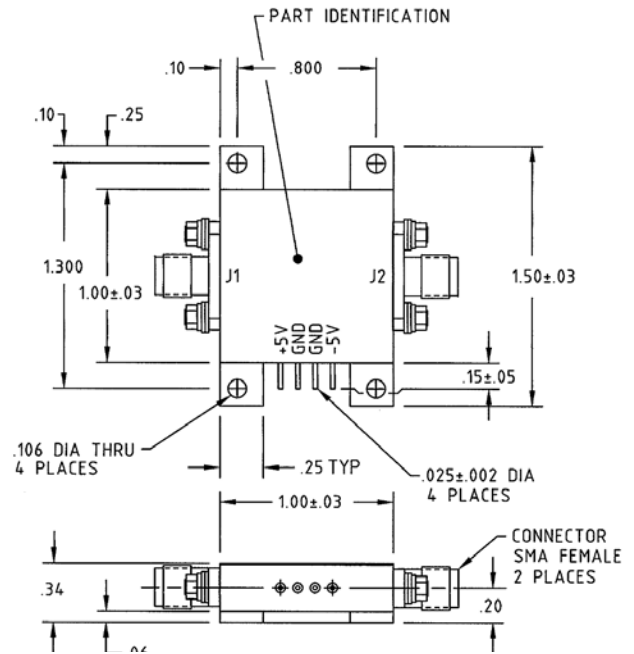


**APPLICATIONS:** Military Radar & Communications

**FUNCTIONAL BLOCK DIAGRAM**



**OUTLINE DRAWING**



**PRODUCT SPECIFICATION**

Parameter	Min	Typ	Max	Units	
Frequency	0.1		32	MHz	
Insertion Loss		0.2	0.35	dB	
Leakage		+25	+27	dBm	+37dBm Input
Spike Duration			50	uSec	
Recovery Time			500	uSec	
VSWR		1.1:1	1.40:1		
Impedance		50		$\Omega$	
Intercept Point, 2 <sup>nd</sup> 3 <sup>rd</sup>	+86 +49			dBm	2x -5dBm Input 2x -5dBm Input
RF Input Power	+15	+20	+37	dBm	P1dB CW
Temperature	-55	+25	+85	$^{\circ}\text{C}$	Ta

**TYPICAL PERFORMANCE**

