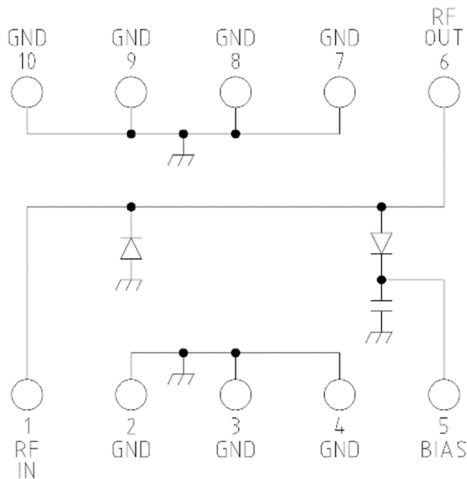


FEATURES

- Frequency Range: 20 – 500 MHz
- Low Insertion Loss 0.6dB Typical
- VSWR: Low 1.25:1 Typical
- 10 Watt CW Input Power
- Low Leakage +15.6dBm Typical
- Adjustable Bias for Higher OIP3 and P1dB
- Surface Mount Package
- Hermetically Sealed

APPLICATIONS: Military Radar & Communications

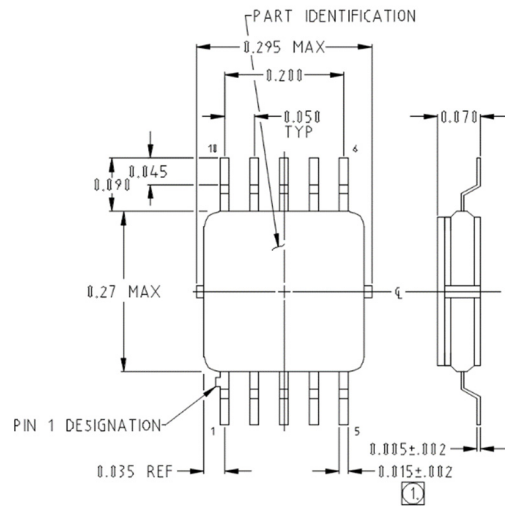
FUNCTIONAL BLOCK DIAGRAM



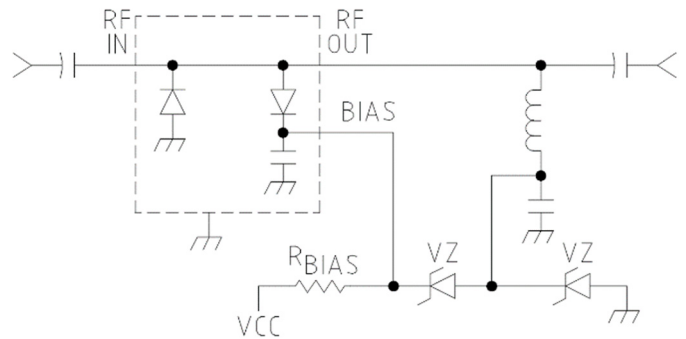
PRODUCT SPECIFICATION

| Parameter | Min | Typ | Max | Units | |
|-------------------------------------|-----|--------|------------|----------|--------------------------------------------|
| Frequency | 20 | | 500 | MHz | |
| Insertion Loss | | 0.6 | 1 | dB | |
| Leakage | | +15.6 | +16 | dBm | +30dBm In at 0Vz |
| Spike Leakage | | +15.6 | +16 | dBm | +30dBm In at 0Vz |
| Recovery Time | | | 10 | nSec | |
| VSWR | | 1.25:1 | 1.30:1 | | |
| Impedance | | 50 | | Ω | |
| Intercept Point, 3 rd | +35 | | | dBm | 2x -5dBm Input |
| 3 rd | +32 | | | dBm | 2x -5dBm +85°C |
| RF Input Power | +12 | | +33 +40 | dBm | P1dB Adjustable CW Infinite Heatsink |
| Temperature | -46 | +25 | +85 | °C | Ta |

OUTLINE DRAWING



TYPICAL APPLICATION



TYPICAL PERFORMANCE

