

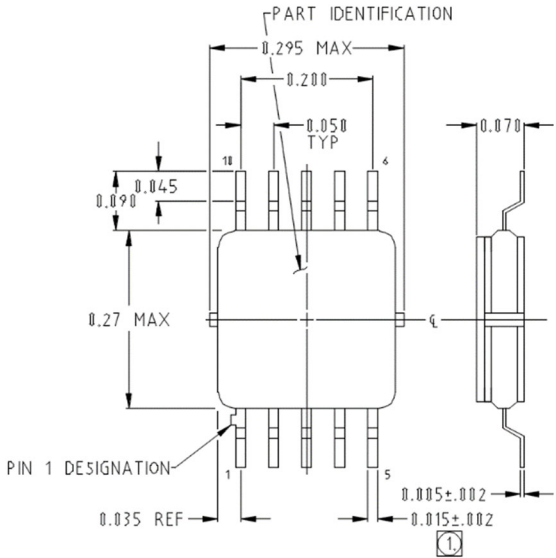
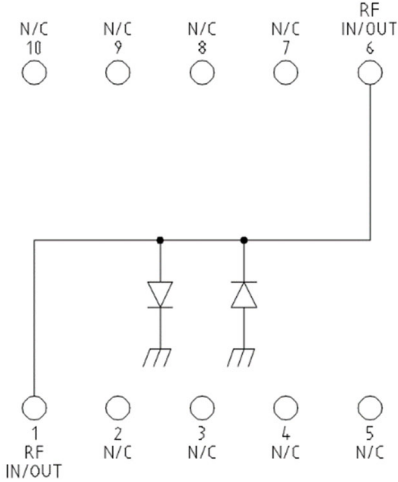
FEATURES

- Frequency Range: 0.1–2300 MHz
- RF Input: 10 Watt CW
- Low Insertion Loss: 0.6dB Typical
- VSWR: Low 1.15:1 Typical
- Low Leakage +12.8dBm Typical
- Fast Recovery: 10nS Typical
- Hermetically Sealed
- Surface Mount Package



OUTLINE DRAWING

FUNCTIONAL BLOCK DIAGRAM



PRODUCT SPECIFICATION

Parameter	Min	Typ	Max	Units	
Frequency	0.1		2300	MHz	
Insertion Loss		0.5	1	dB	
Leakage		+12.8	+16	dBm	+30dBm Input
Spike Leakage		+12.8	+16	dBm	+30dBm Input
Recovery Time			10	nSec	
VSWR		1.25:1	1.30:1		
Impedance		50		Ω	
Intercept Point, 3 rd	+35			dBm	2x -5dBm Input
3 rd	+32			dBm	2x -5dBm +85°C
RF Input Power	+12		+40	dBm	P1dB CW Infinite Heatsink
DC Bias					External Choke to GND Required
Temperature	-46	+25	+85	°C	Ta

TYPICAL PERFORMANCE

