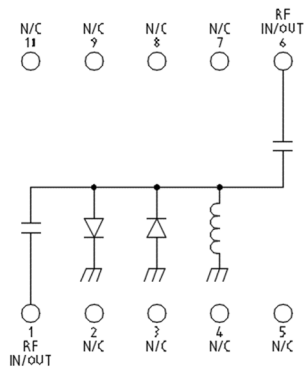


FEATURES

- Frequency Range: 200 – 2300 MHz
- Surface Mount Package
- Hermetically Sealed
- Low Insertion Loss 0.6dB Typical
- VSWR: Low 1.25:1 Typical
- 10 Watt CW Input Power
- Low Leakage +15.6dBm Typical
- Fast Recover < 10nS
- Internal Bias Components

APPLICATIONS: Military Radar & Communications

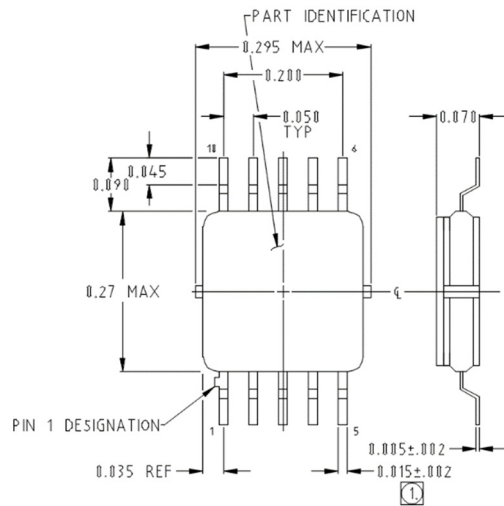
FUNCTIONAL BLOCK DIAGRAM



PRODUCT SPECIFICATION

Parameter	Min	Typ	Max	Units	
Frequency	200		2300	MHz	
Insertion Loss		0.6	1	dB	
Leakage		+15.6	+16	dBm	+30dBm Input
Spike Leakage		+15.6	+16	dBm	+30dBm Input
Recovery Time			10	nSec	
VSWR		1.25:1	1.30:1		
Impedance		50		Ω	
Intercept Point, 2 nd				dBm	2x -5dBm Input 2x -5dBm +85°C
3 rd	+35			dBm	
3 rd	+32			dBm	
RF Input Power	+12		+40	dBm	P1dB CW Infinite Heatsink
Temperature	-46	+25	+85	°C	Ta

OUTLINE DRAWING



TYPICAL PERFORMANCE

