

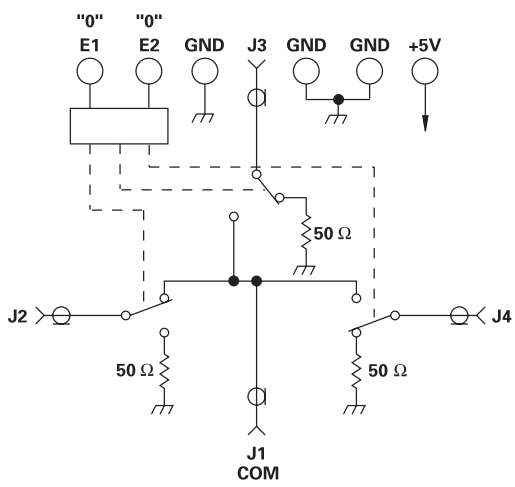
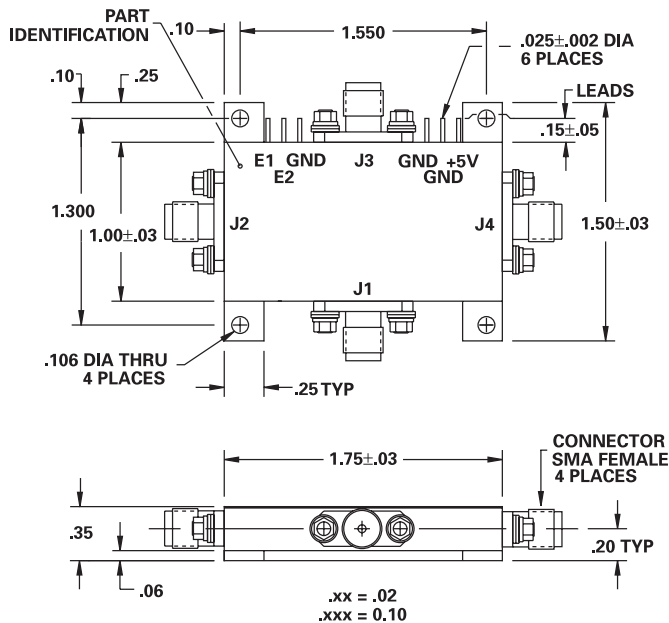
**MODEL NUMBER
CDS0669**

PIN Diode SP3T

FEATURES

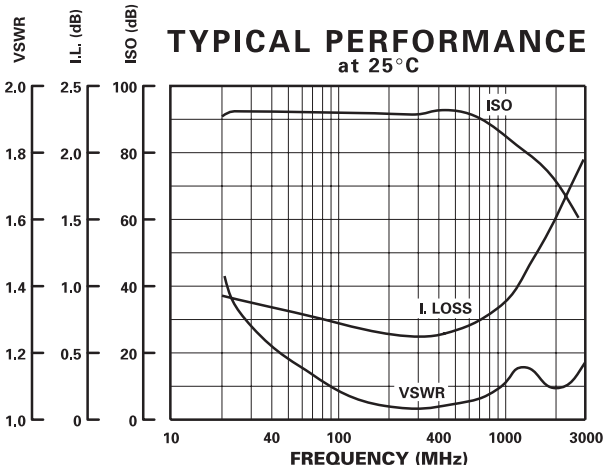
- 100 - 2000 MHz
- 80 dB Isolation
- 1 dB Insertion Loss
- TTL BCD Control
- Non-Reflective
- Replaceable SMA Connectors

SP3T



GUARANTEED PERFORMANCE

Parameter	Min	Typ	Max	Units	Conditions
Operating Frequency	100		2000	MHz	
DC Current		20	30	mA	At +5 VDC Supply
Control Type		TTL			2 Lines, See Logic Table
Control Current		High Low	1.0 -0.2	20 -0.4	μ A mA
Insertion Loss			0.7	1.0	dB
			1.0	1.5	dB
			1.5	2.0	dB
Isolation			80	87	dB
			65	75	dB
VSWR		Thru	1.11/1	1.35/1	
		Termination	1.18/1	1.35/1	
Impedance			50		OHMS
Switching Speed			185	500	nSEC
Transition (Rise/Fall) Time			20		nSEC
Switching (Video) Transients			650		mV
Intercept Points	2nd	+50	+67		dBm
	3rd	+30	+41		dBm
RF Power	Operate		+15	+10	dBm
			+25	+20	dBm
	No Damage		+27	+20	dBm
Operating Temperature	-55	+25	+125		$^{\circ}$ C



Control Logic		RF Path
E2	E1	J1 (Com) To
0	0	J2
0	1	J3
1	0	J4