

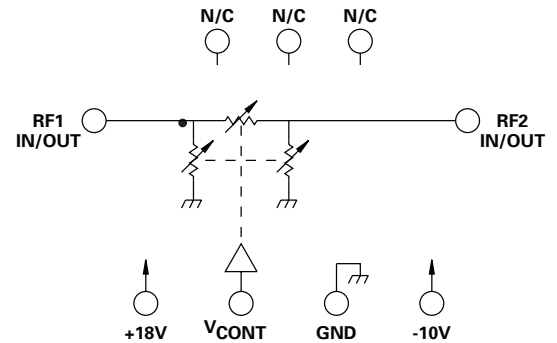
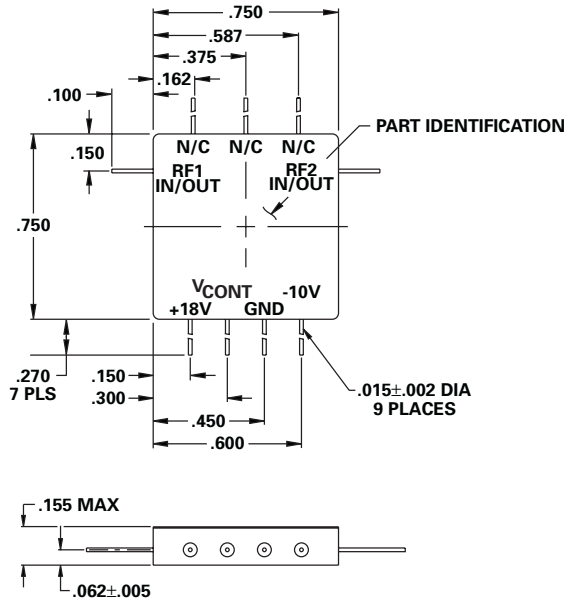
# MODEL NUMBER CATV8068

# PIN Diode VCA

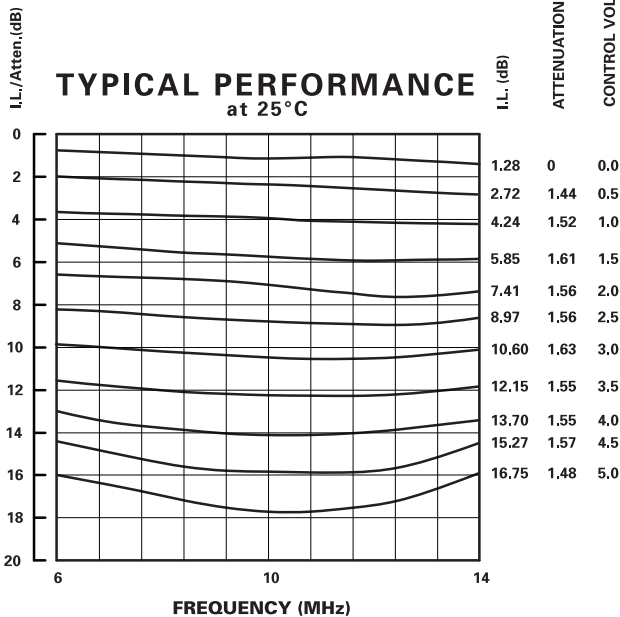
## FEATURES

- 10.95-12.75 GHz
- Space Application
- Hermetic Package
- Radiation Tolerant, 100 K Rad
- Surface Mount

## VCA



XX = .02  
XXX = .010



## GUARANTEED PERFORMANCE

Parameter	Min	Typ	Max	Units	Conditions
Operating Frequency	10.95		12.75	GHz	
DC Current			10	mA	At +18 VDC Supply
			10	mA	At -10 VDC Supply
Control Type		TTL			Load Factor 1 Logic "0" = Isolation Logic "1" = Thru
Control	0		5	V	Of Turn
Insertion Loss		1.3	2.0	dB	
VSWR		1.3/1	2.0/1		
Impedance		50		OHMS	
Attenuation Range	14.5	16		dB	
Flatness					
Amplitude Stability					
Attenuation Linearity					
Switching Speed				µSec	
Transition (Rise/Fall) Time					
Switching (Video) Transients					
Intercept Points	3rd	+14.5		dBm	
RF Power	Operate			dBm	
	No Damage		+15	dBm	
Operating Temperature	-35	+25	+75	°C	TA