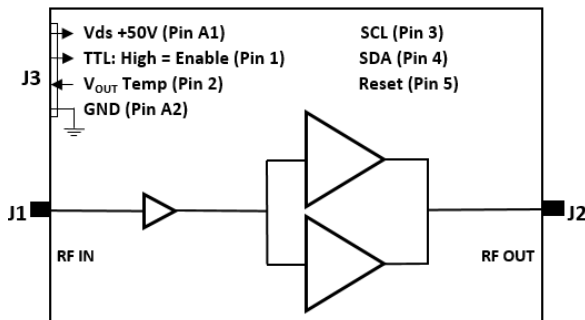


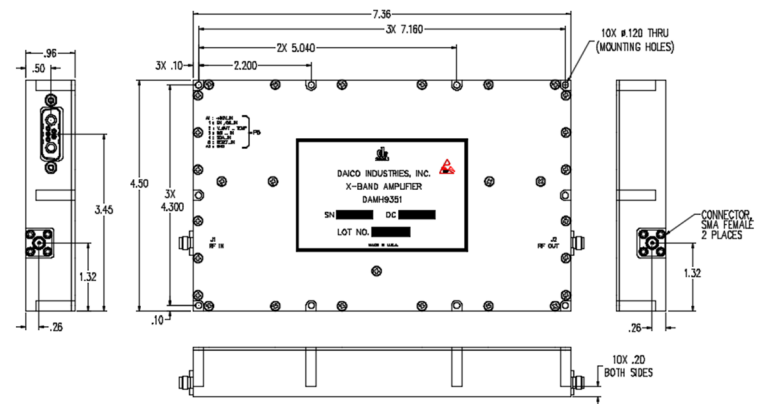
FEATURES

- GaN Technology
- Frequency Range 8.7 – 9.7GHz
- Output Power 300 W Min
- Power Gain 53 dB Min
- PAE 30% Typical
- Output Survivability ∞ VSWR
- Super SMA Replaceable Connectors

FUNCTIONAL BLOCK DIAGRAM



OUTLINE DRAWING



PRODUCT SPECIFICATION

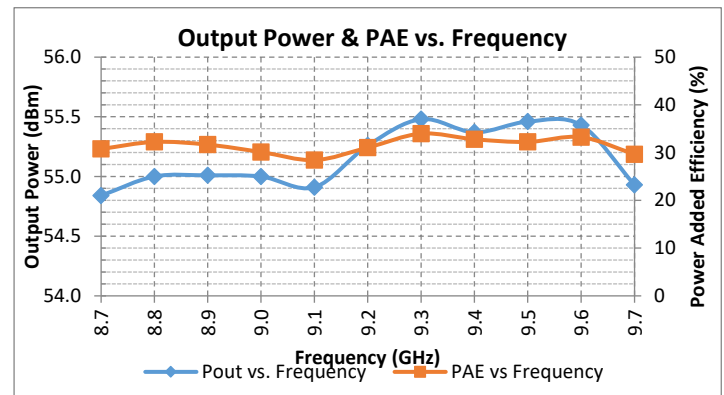
Parameter	Min.	Typ.	Max.	Units	Notes
Frequency	8.7		9.7	GHz	
Output Power	54.6	54.9		dBm	
Power Gain	53			dB	
Small Signal Gain	56			dB	
S.S. Gain Flatness			± 1.5	dB	
PAE	28	32		%	
Droop		0.3	0.75	dB	
Rise Time		50	100	ns	
Fall Time		80	100	ns	
Enabled Response Time			500	ns	
VSWR (Input)			1.5:1		
VSWR (Output)			1.9:1		
Harmonic (2 nd)			-30	dBc	
Spurious			-60	dBc	
DC Voltage		50	51	V	
DC Current		2.3	3	A	
Operating Temp	-40	25	85	$^{\circ}$ C	

(Data taken at Pulse Width=100 μ s, 10% Duty Cycle)

ABSOLUTE MAXIMUM RATINGS

Parameter	Ratings	Units
Input Power	30	dBm
DC Voltage	55	V
DC Current	3	A
Storage Temperature	150	$^{\circ}$ C
Humidity	95	%

TYPICAL PERFORMANCE



Linear Pulse Output at 100 μ s 10% DF @ 25 $^{\circ}$ C

