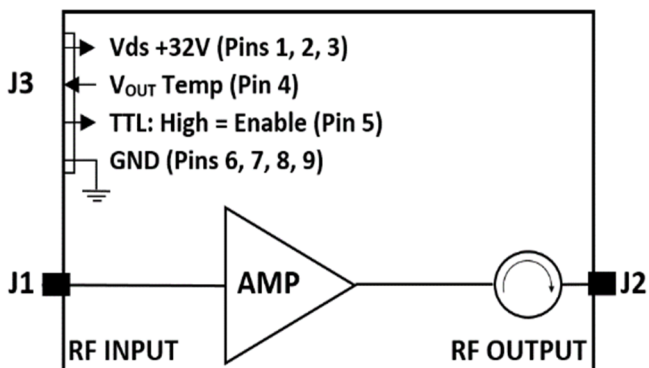


FEATURES

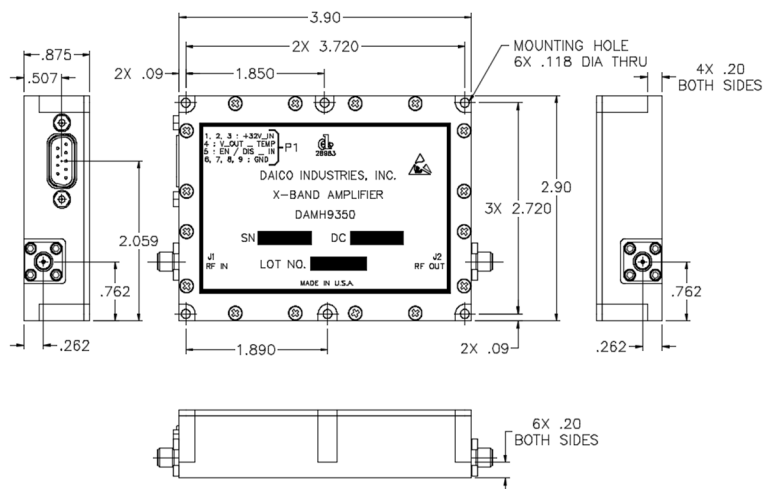
- Technology: GaN
- Frequency Range: 8 – 10GHz
- Output Power: 80 W Min
- Power Gain: 35 dB Min
- PAE: 25% Typical
- Input Survivability: +30 dBm
- Output Survivability: ∞ VSWR
- Super SMA Replaceable Connectors

APPLICATIONS: X-Band Long Pulse, High Duty Cycle Operations

FUNCTIONAL BLOCK DIAGRAM



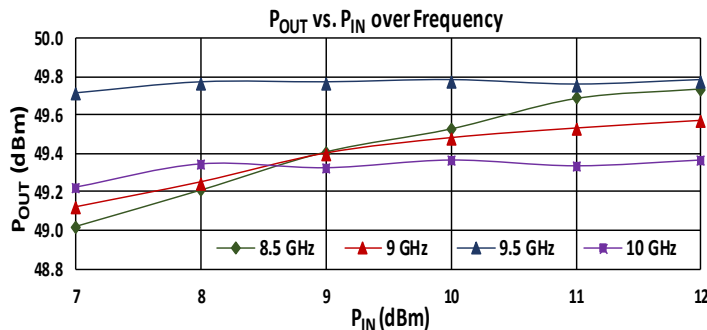
OUTLINE DRAWING



PRODUCT SPECIFICATION

Parameter	Min.	Typ.	Max.	Units
Frequency	8		10	GHz
Output Power	49	49.5		dBm
Power Gain	35	37.5		dB
Small Signal Gain	43	48.5		dB
Small Signal Gain Flatness		± 1.00	± 1.25	dB
PAE	30	32		%
Droop		0.20	1.0	dB
Rise Time		30	100	ns
Fall Time		60	100	ns
Enabled Response Time		400	500	ns
VSWR (Input)		1.3:1	2:1	
VSWR (Output)		1.5:1	2:1	
Harmonic (2 nd)		-32	-30	dBc
Spurious		-71	-60	dBc
Input Power		+12	+30	dBm
DC Voltage	+25	+28	+32	V
DC Current		2.9	5	A
Operating Temperature	-40	+25	+85	$^{\circ}$ C

TYPICAL PERFORMANCE



Typical Pulse Output at 25% Duty Cycle & 25 $^{\circ}$ C
100 μ S Pulse Width 1mS Pulse Width

