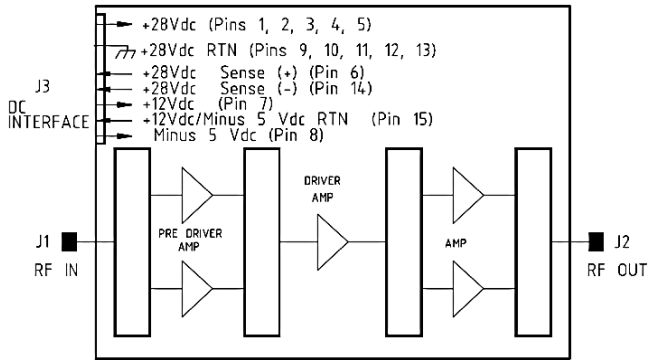


FEATURES

- GaN PA/GaAs Driver
- Frequency Range: 5.1-5.9 GHz
- Output Power: 50W Min
- Power Gain: 22 dB Typical
- Power Gain Flatness: ± 1.0 dB
- PAE: 32 Typical
- Operation Mode: CW or Long Pulse
- DC Input: +12VDC and +28V
- Interface: SMA/DB-15
- Input Survivability +33dBm

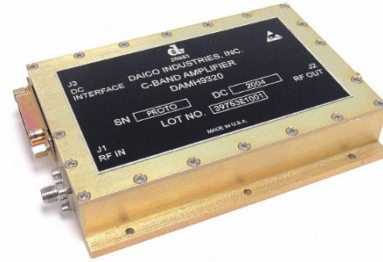
APPLICATIONS: C-Band CW Operation, High Duty Cycle Pulse Operation

FUNCTIONAL BLOCK DIAGRAM

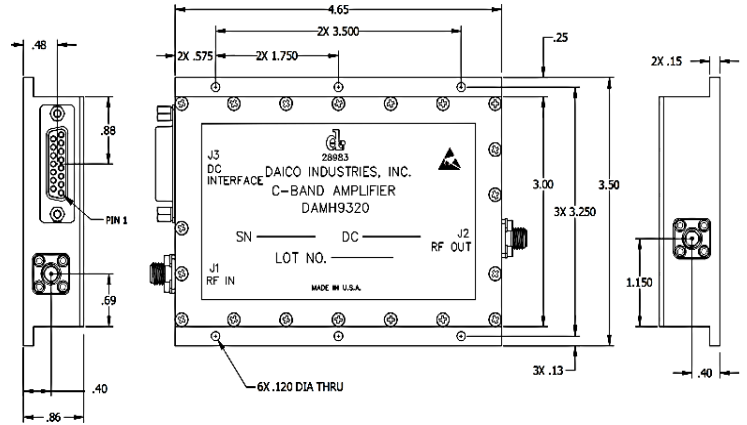


PRODUCT SPECIFICATION

Parameter	Min.	Typ.	Max.	Units	Notes
Frequency	5.1		5.9	GHz	
Output Power	47	47.8		dBm	
Power Gain	20	21		dB	
Small Signal Gain	24	25		dB	
S.S. Gain Flatness		± 1.0	± 1.5	dB	
PAE	30	32		%	
Droop		0.20	1.0	dB	5mS Pulse
Rise Time		30	100	ns	5mS Pulse
Fall Time		60	100	ns	5mS Pulse
VSWR (Input)		1.7:1	2:1		
VSWR (Output)		1.5:1	2:1		
Harmonic (2 nd)		-40	-35	dBc	
Impedance		50		Ω	
Input Power		+27.0	+30.5	dBm	
DC Voltage		+28	+32	V	
Driver Voltage		+12	+15	V	
DC Current (+28V)		4.5	5	A	CW
DC Current (+12V)		1.5	1.8	A	CW
Operating Temp	-40	+25	+85	$^{\circ}$ C	Base



OUTLINE DRAWING



TYPICAL PERFORMANCE

