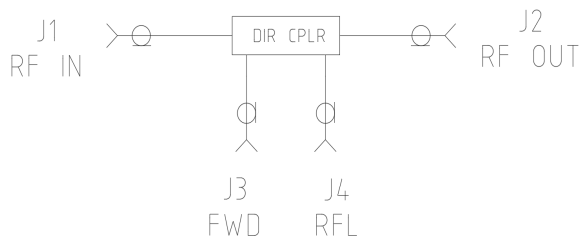


FEATURES

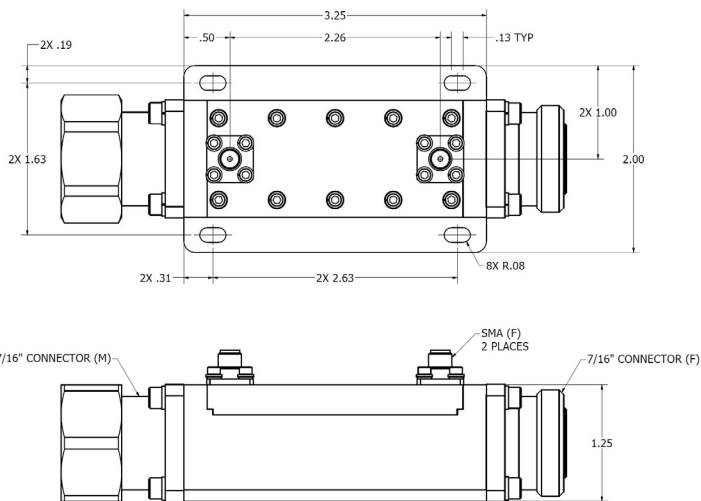
- High Power Coupler: Bidirectional
- Technology: Low Loss High Thermal Conductivity
- Miniaturized Design: Low Profile
- Frequency Range: 850 – 950 MHz
- High Power Handling: 40kW peak/2kW CW Max
- Extremely Low Loss: 0.03dB Max
- Excellent Directivity: 21.5dB Typical
- Input/Output VSWR: 1.25:1 Max
- FWD/RFL VSWR: 1.25:1 Max
- Input/Output Connector: 7/16 DIN Male/Female
- Coupling Ports: SMA Female

APPLICATIONS: High Power P-Band Application

FUNCTIONAL BLOCK DIAGRAM



OUTLINE DRAWING



PRODUCT SPECIFICATION

Parameter	Min.	Typ.	Max.	Units	Notes
Frequency	850		950	MHz	
Input Power	76			dBm	50uS 4.5%
	63			dBm	CW
VSWR Input/output		1.1:1	1.25		
VSWR Coupling Ports		1.1:1	1.25		
Insertion Loss		0.02	0.03dB	dB	
Coupling Output		28.0		dB	
Coupling Flatness			0.5	dB	
Directivity	20	21.5		dB	
RF Input/Output	7/16 DIN			M/F	
RF Coupling	SMA			F	
DIM	3.25" X 2.00" X 1.25"				
Base Temp	0	25	65	°C	

TYPICAL PERFORMANCE

