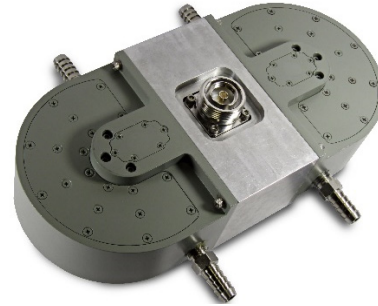
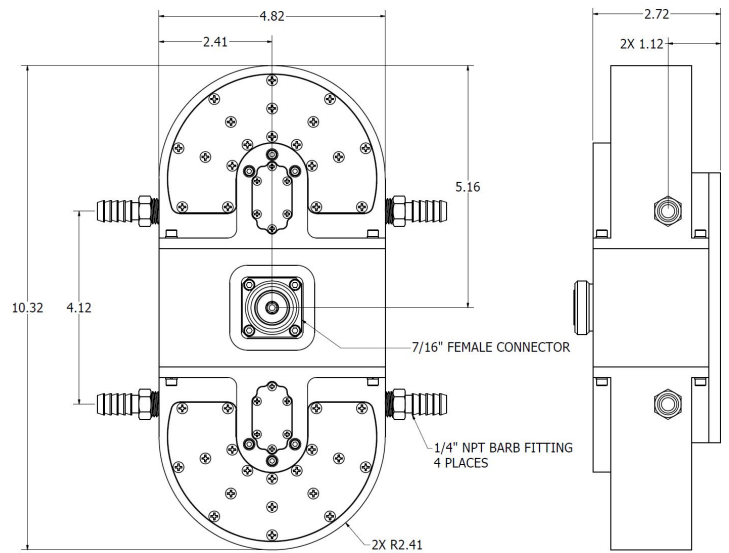


### FEATURES

- High Power Load: Passive 50Ω
- Technology: CVD Diamond Substrate
- Miniaturized Design: Low Profile
- Frequency Range: 850 – 942 MHz
- High Power Handling: 36kW peak/1.94kW CW Max
- Input VSWR: 1.25:1 Max
- Cooling: Liquid Coolant
- Coolant Inlet/Outlet: ¼" NPT
- Input Connector: 7/16 DIN Female

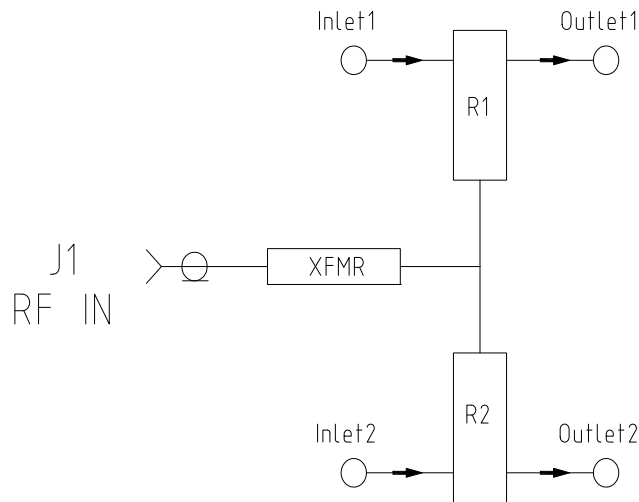


### OUTLINE DRAWING



### APPLICATIONS: High Power P-Band Application

### FUNCTIONAL BLOCK DIAGRAM



### TYPICAL PERFORMANCE



### PRODUCT SPECIFICATION

Parameter	Min.	Typ.	Max.	Units	Notes
Frequency	850		942	MHz	
Input Power			75.6	dBm	36kW, 50uS 5.4%
			62.9	dBm	1.94kW CW
VSWR (Input)		1.2:1	1.25		
RF Input	7/16 DIN			F	
Coolant Inlet	¼"			NPT	2x
Coolant Outlet	¼"			NPT	2x
DIM	10.32" X 4.82" x 2.72"				
Coolant Temp	0	25	55	°C	