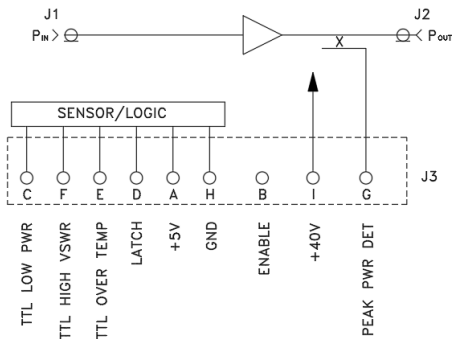


FEATURES

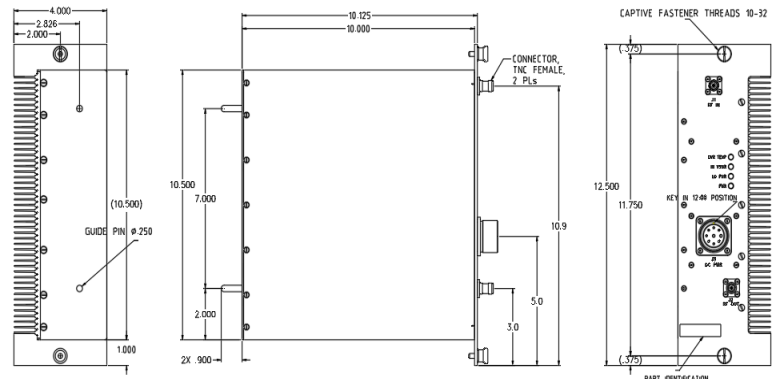
- LDMOS Technology
- Operating Frequency: 1200-1400MHz
- Peak Power Output: 1.5kW Min
- Power Gain: 12 dB Min
- Unit-to-Unit Phase Match: 13° Max
- PAE: 37% Min
- Pulse Width: 320uS Max
- Pulse Duty Factor: 10% Max
- Operating Voltage: 40VDC
- Input Survivability +52dBm
- Output Protection: Isolator
- Alarm: VSWR and Over Temp
- Enable Control: TTL High "ON"

APPLICATIONS: Aerostat Radar

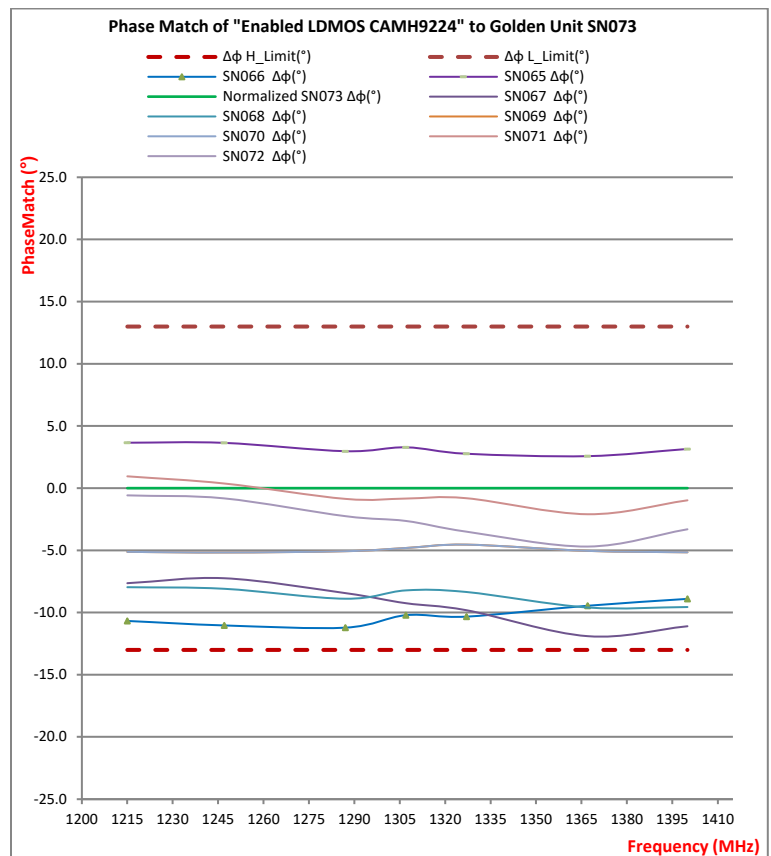
FUNCTIONAL BLOCK DIAGRAM



OUTLINE DRAWING



TYPICAL PERFORMANCE



PRODUCT SPECIFICATION

| Parameter | Min. | Typ. | Max. | Units | Notes |
|----------------------|------|-------------|-------|--------|--|
| Frequency | 1200 | | 1400 | MHz | |
| Output Power | 62.0 | 62.5 | | dBm | Pulse: 320uS 10% |
| Power Gain | 12 | 12.5 | | dB | Pulse: 320uS 10% |
| Input Power | | 49.5 | 52.0 | dBm | |
| Phase Match | | 6 | 13 | degree | |
| PAE | 30 | 37 | | % | |
| Droop | | 0.5 | 1.0 | dB | Pulse: 320uS 10% |
| Rise Time | | 35 | 100 | ns | Pulse: 320uS 10% |
| Fall Time | | 15 | 100 | ns | Pulse: 320uS 10% |
| Enabled Delay | | 5.0 | 10.0 | us | |
| Input VSWR | | 1.3:1 | 1.5:1 | | |
| Output VSWR | | 1.3:1 | 1.5:1 | | |
| Harmonic Components | -30 | -40 | | dBc | 2 nd , 3 rd , and Others |
| Impedance | | 50 | | Ohms | |
| DC Current | | 10 | 12 | A | At +40VDC |
| Enable Control | | +5.0 | | V | |
| Temp./VSWR Alarms | | +65°C/2.5:1 | | | Output VSWR |
| Operating Base Temp. | 0 | +40 | +65 | °C | |