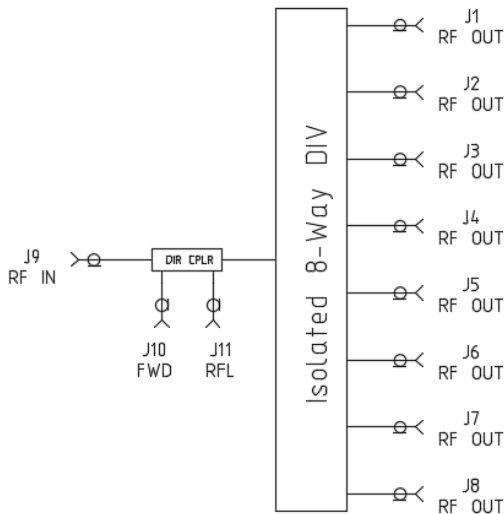


FEATURES

- 8-Way Divider: All Passive
- Frequency Range: 1175 – 1375 MHz
- High Power Handling: 200W peak/50W CW Max
- Insertion Loss: 10.0 dB Max
- Input VSWR: 1.4:1 Max
- Output VSWR: 1.3:1 Max
- Amplitude/Phase Port Match: $\pm 0.15\text{dB}/\pm 2^\circ$ Max
- Excellent Reverse Isolation: 36dB Min
- Outstanding Port-to-Port Isolation: 27dB Min
- Built-in Directional Coupler: 28dB nominal
- Excellent Coupling Directivity: 16dB Min

APPLICATIONS: High Isolation 8-Way Divider

FUNCTIONAL BLOCK DIAGRAM

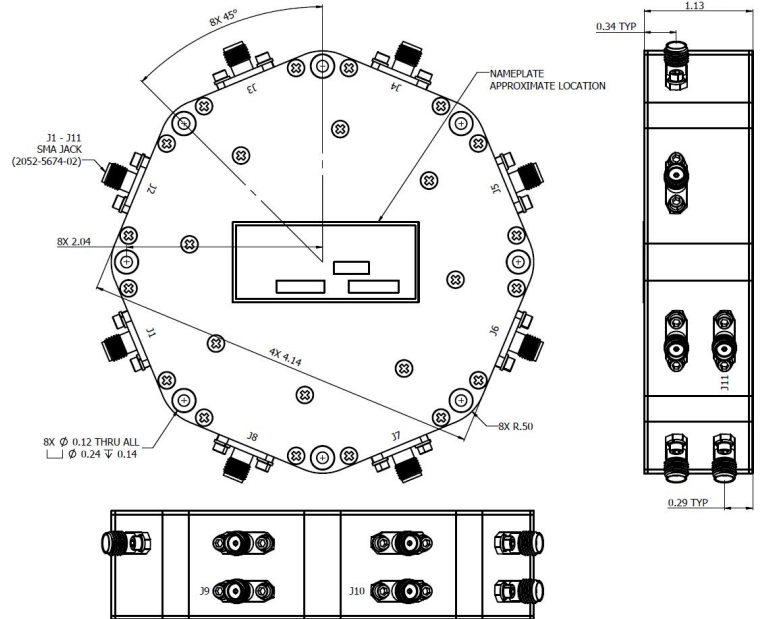


PRODUCT SPECIFICATION

Parameter	Min.	Typ.	Max.	Units	Notes
Frequency	1175		1375	MHz	
Input Power	53			dBm	2mS Pulse
	27			dBm	CW
Insertion Loss			10.0	dB	
Insertion Flatness			0.2	dB	
Amplitude Match			± 0.15	dB	
Phase Match			± 2	$^\circ$	
Reverse Isolation	36			dB	
Port-to-Port Iso.	27			dB	
VSWR (Input)		1.3:1	1.41		
VSWR (Output)		1.2:1	1.3:1		
FWD Coupling	28.2	28.5	28.8	dB	
CPLR Directivity	15			dB	
Base Temp	-20		70	$^\circ\text{C}$	



OUTLINE DRAWING



TYPICAL PERFORMANCE

