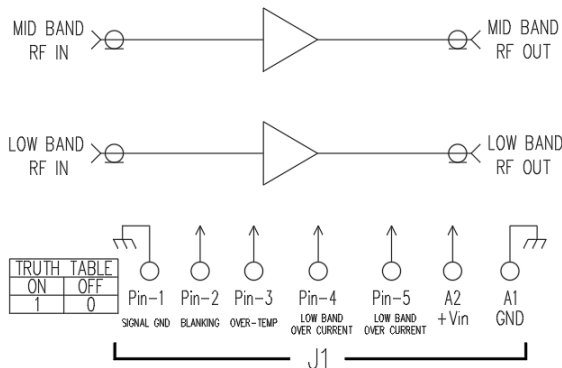


FEATURES

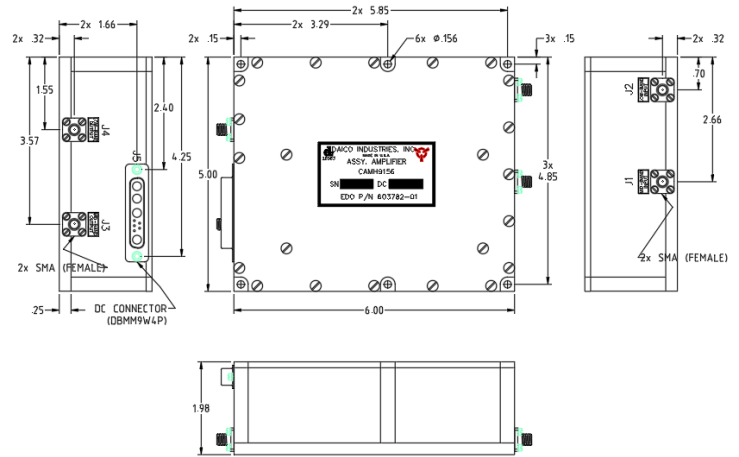
- Technology: LDMOS
- Frequency Range: 0.02-0.512GHz
- Output P_{SAT} Low Band: 15W
- Output P_{SAT} Mid Band: 150W
- Low Band Gain: 43.5dB Typical
- Mid Band Gain: 53.5dB
- Input/Output VSWR: 1.5:1
- PAE: 35% Typical
- VSWR Survivability (Low): 3.5:1
- VSWR Survivability (Mid): 2.5:1
- Blanking Response Time: 5μS
- DC Input: +28VDC Typ.
- Interface: SMA/Combo-D

APPLICATIONS: Broadband Jamming Amplifier

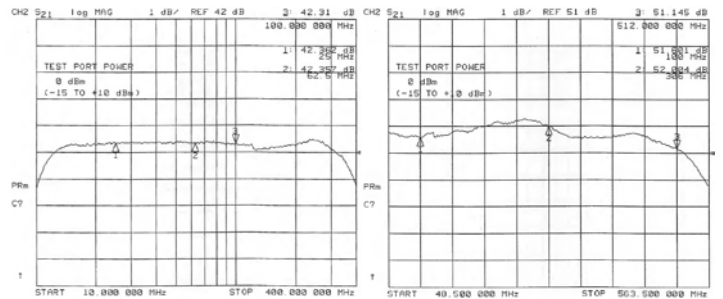
FUNCTIONAL BLOCK DIAGRAM



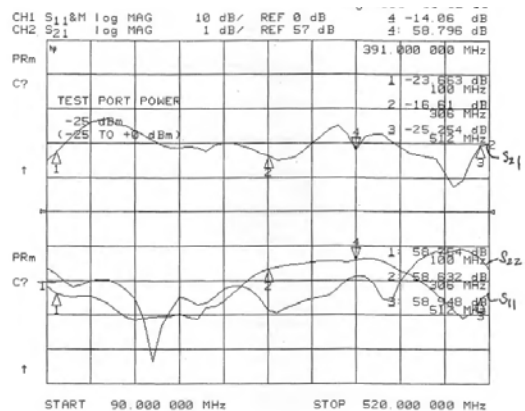
OUTLINE DRAWING



TYPICAL PERFORMANCE



Low/Mid Band Output at 0dBm Input



Mid Band: S11, S21, and S21

PRODUCT SPECIFICATION

Parameter	Min.	Typ.	Max.	Units	Notes
Frequency	0.02		0.512	GHz	Low: 20-100MHz Mid: 100-512MHz
Output P _{SAT} (Low)	40	42		dBm	
Output P _{SAT} (Mid)	50	52		dBm	
Gain (Low)	40	43.5	47	dB	
Gain (Mid)	50	53.5	57	dB	
Gain Flatness		±1.0	±1.5	dB	
Gain vs VSWR			±1.0	dB	
PAE	32	35		%	@ P _{SAT}
VSWR (Input)		1.3:1	1.5:1		
Load VSWR (Low)			3.5:1		
Load VSWR (Mid)			2.5:1		
Harmonic (2 nd)	15	25		dBc	
Blanking Response			5	μS	
Impedance		50		Ω	
DC Voltage	+18	+28	+36	V	
DC Current (+28V)		12.5	14.0	A	@ P _{SAT}
Dimensions	6.00"x5.00"x1.98"			Inch	
Operating Temp	-40	+25	+85	°C	Base