



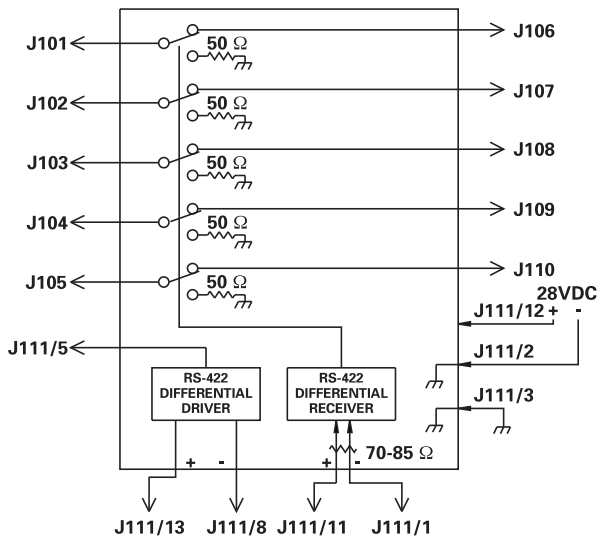
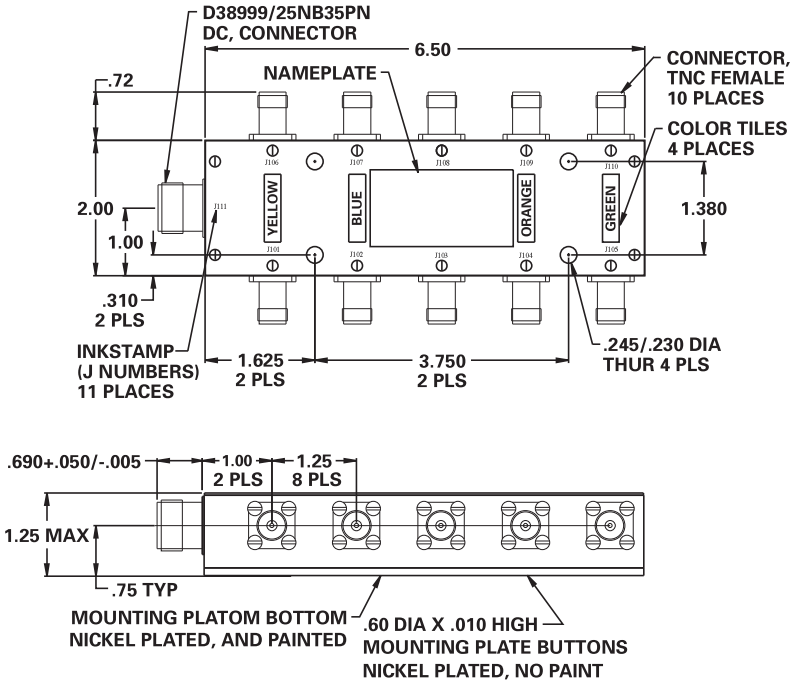
**MODEL NO.
100D9109**

Combiner

FEATURES

- 500 - 2000 MHz
- Amplitude / Phase Tracking
- 0.7 dB Insertion Loss
- 80 dB Isolation

MFD



J111 PIN OUTS	
PIN	FUNCTION
1	CONTROL RS-422 RETURN
2	AIRCRAFT GROUND
3	SAFETY GROUND
4	SPARE
5	BLANKING INPUT +5V
6	SPARE
7	SPARE
8	BLANKING OUTPUT RS-422 RETURN
9	SPARE
10	SPARE
11	CONTROL RS-422 POSITIVE
12	+28V
13	BLANKING OUTPUT RS-422 POSITIVE

GUARANTEED PERFORMANCE

Parameter	Min	Typ	Max	Units	Conditions
Operating Frequency	500		2000	MHz	
DC Current		137	250	mA	At +28 VDC Supply per MIL-STD-704A Reverse Polarity Protected
Control Type				mA	Differential Line Receiver RS-422/ Stanag-3909 70-85 Ω
J111/11, J111/1					Termination when open, All Channels are Through
J111/5				mA	1 Line TTL, Input Logic "1" = Output Logic "1" RS-422
Control Current	High Low			μA	
Insertion Loss		0.67	1	dB	
Amplitude Tracking		±0.02	±0.1	dB	Channel to Channel
Phase Tracking		±1	±5	DEG	Channel to Channel
Isolation		70	83	dB	
VSWR	Thru Termination Reflective	1.15/1 1.13/1	1.3/1 1.5/1		All Ports J101 to J105 J106 to J110
Impedance		50		OHMS	
Switching Speed		400 ±40	750 ±100	nSec	50% TTL to 90% / 10% RF Channel to Channel
Transition (Rise/Fall) Time				μSec	90% / 10% or 10% / 90% RF
Switching (Video) Transients			-100	dBm	.5 - 20 GHz, 13 μSec Repetition Rate
Intercept Points	2nd 3rd			dBm	
RF Power	Operate No Damage	-100	+28 +30	dBm	
Weight			1.5	LBS	
Operating Temperature		-54	+25 +110	°C	TA