

### FEATURES

Frequency Range: 30 – 400MHz  
 Low Insertion Loss: 0.5dB  
 Isolation: 50dB  
 RF Power Operating: 41.8dBm/15W  
 VDC Supply: +28V  
 Failsafe Mode: Data link receiver (J5) shall be connected to (J6), UHF receiver (J3) connected to (J2), and UHF/VHF (J8) receiver connected to (J7) Antenna.

Back-Up Control 3 positions:

- Upper – 28VDC ; selects upper antenna
- Norm – open ; UFC determines Ant. Select
- Lower – ground ; selects Lower antenna

**APPLICATIONS: MILITARY FIGHTER AIRCRAFT**

### FUNCTIONAL BLOCK DIAGRAM

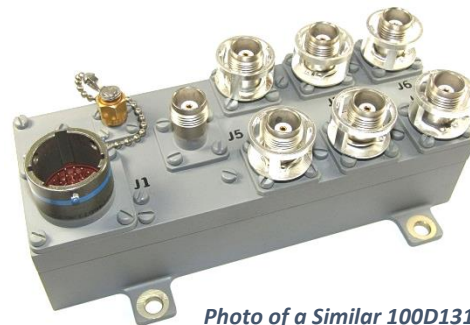
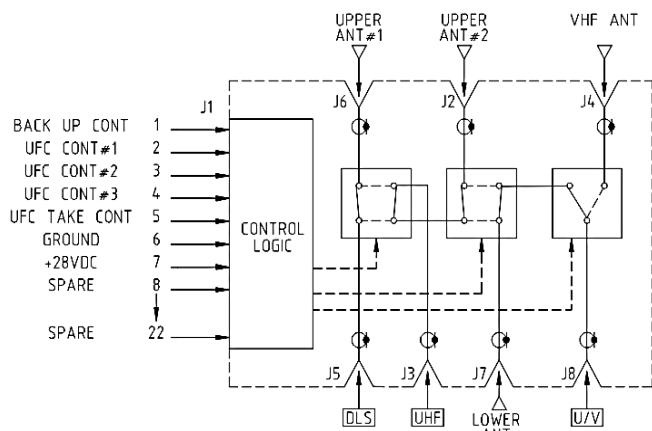
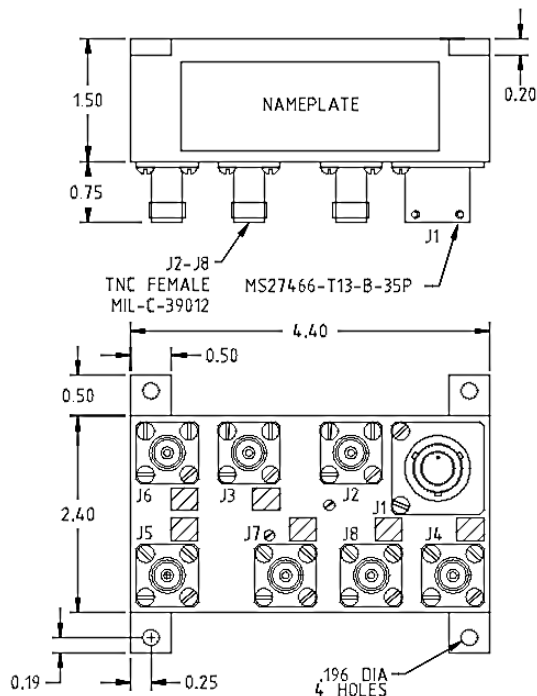


Photo of a Similar 100D1313

### OUTLINE DRAWING



### PRODUCT SPECIFICATION

Parameter	Min.	Typ.	Max.	Units	
Frequency	30		400	MHz	
DC Current		320	750	mA	+28VDC Supply
Insertion Loss		0.5	1.25	dB	
Isolation	50	55		dB	Between Antenna Ports
VSWR		1.14:1	1.5:1		
Impedance		50		Ω	
Switching Speed		2.3	5	msec	
RF Power Operating			15	W	Average
			100	W	Peak
Temperature	-55	+25	+85	°C	Ta

### TYPICAL PERFORMANCE

