

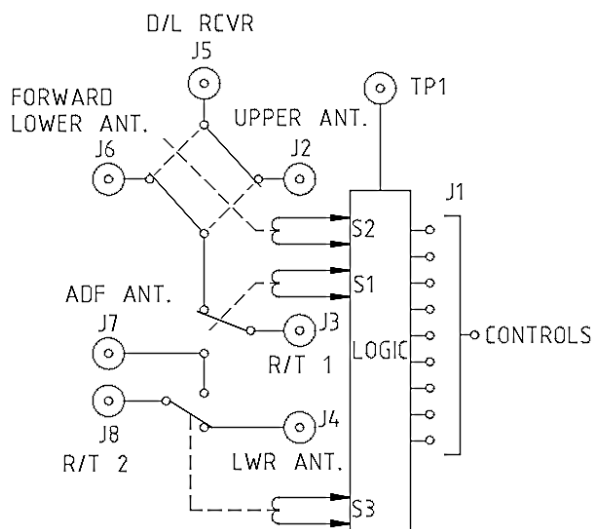
FEATURES

- Frequency Range: DC – 400MHz
- Low Insertion Loss: 0.3dB
- Isolation: 90dB
- RF Power Operating: 43dBm/20W
- VDC Supply: +28V
- Failsafe Mode: R/T-1 to Lower, R/T-2 to Forward & D/L to Upper Antenna.
- Auto Mode Cycles: R/T-1 & the D/L Receiver between Upper & Lower Antennas
- ADF (Auto Direction Finder) Override: J1 to J7
- Key Function: Memory Auto selects Antenna which last signal was received

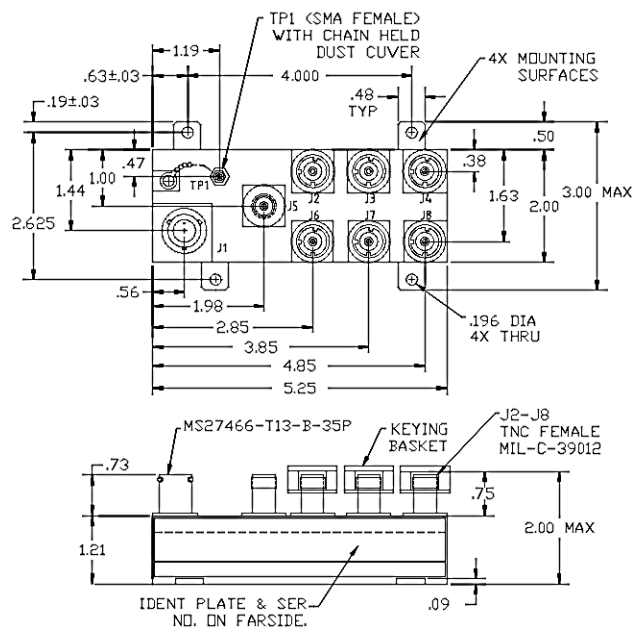


APPLICATIONS: MILITARY FIGHTER AIRCRAFT

FUNCTIONAL BLOCK DIAGRAM



OUTLINE DRAWING



PRODUCT SPECIFICATION

Parameter	Min.	Typ.	Max.	Units	
Frequency	DC		400	MHz	
DC Current		130	500	mA	+28VDC Supply
Insertion Loss		0.3	0.5	dB	
Isolation	All Ports	40	80	dB	
	RT1 to RT2	80	100	dB	
VSWR		1.01:1	1.25:1		
Impedance		50		Ω	
Switching Speed		2.5	5	mec	50% TTL to 90%/10% RF
RF Power Operating			43	dBm	Avg.
			49	dBm	Peak
Temperature	-54	+25	+71	°C	
Weight			18.2	Oz	

TYPICAL PERFORMANCE

