

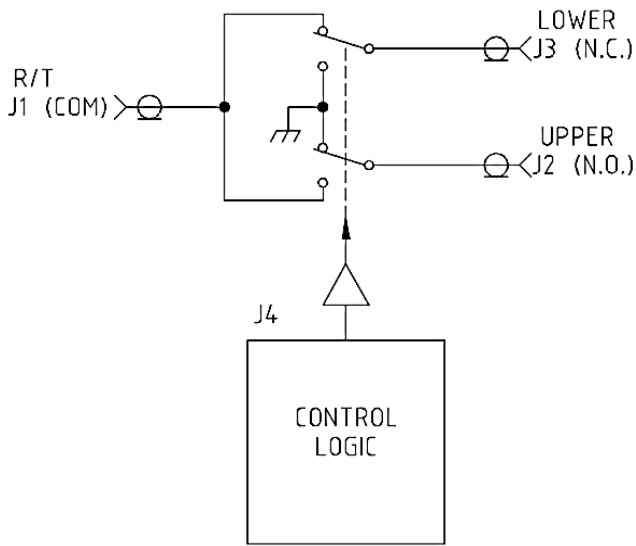
### FEATURES

- Frequency Range: DC – 400 MHz
- Low Insertion Loss: 0.15dB
- High Isolation: 60dB
- RF Power Operating: 50dBm/100W
- VDC Supply: +28V
- Failsafe Mode: Loss of Power Connect J1 to J3

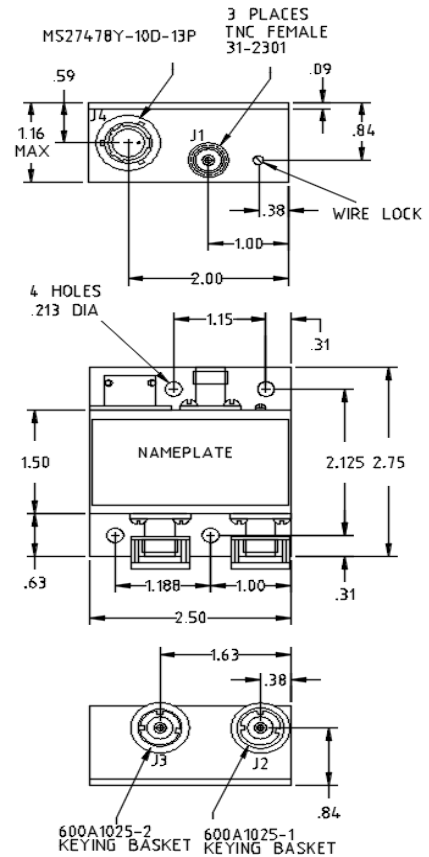


### APPLICATIONS: MILITARY FIGHTER AIRCRAFT

### FUNCTIONAL BLOCK DIAGRAM



### OUTLINE DRAWING



### PRODUCT SPECIFICATION

Parameter	Min.	Typ.	Max.	Units	
Frequency	DC		400	MHz	
DC Current		72	100	mA	+28VDC Supply
Insertion Loss		0.15	0.5	dB	
Isolation	40	60		dB	
VSWR		1.1:1	1.25:1		
Impedance		50		$\Omega$	
Switching Speed		1.65	5	msec	50% TTL to 90%/10% RF
RF Power Operating			50	dBm	Avg.
			57	dBm	Peak
Temperature	-54	+25	+71	$^{\circ}\text{C}$	Ta

### TYPICAL PERFORMANCE

