

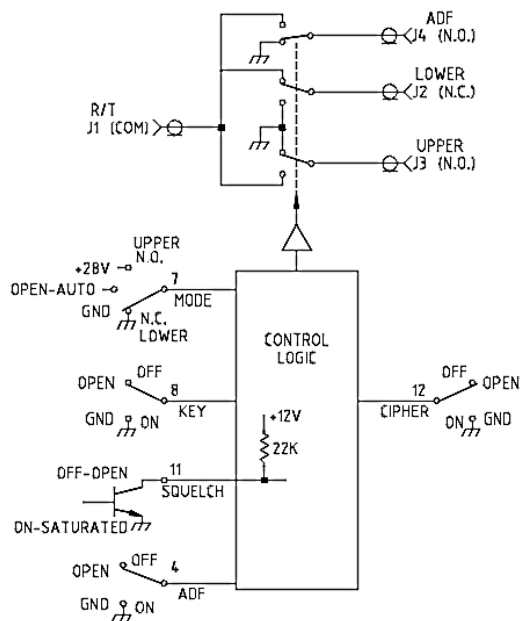
FEATURES

- Frequency Range: DC – 400 MHz
- Low Insertion Loss: 0.2dB
- High Isolation: 75dB
- RF Power Operating: 50dBm/100W
- VDC Supply: +28V
- Failsafe Mode to Lower Antenna
- Auto Cycle Mode between Upper & Lower Antenna
- ADF (Auto Direction Finder) Override: J1 to J4
- Key Function: Memory Auto selects Antenna which last signal was received

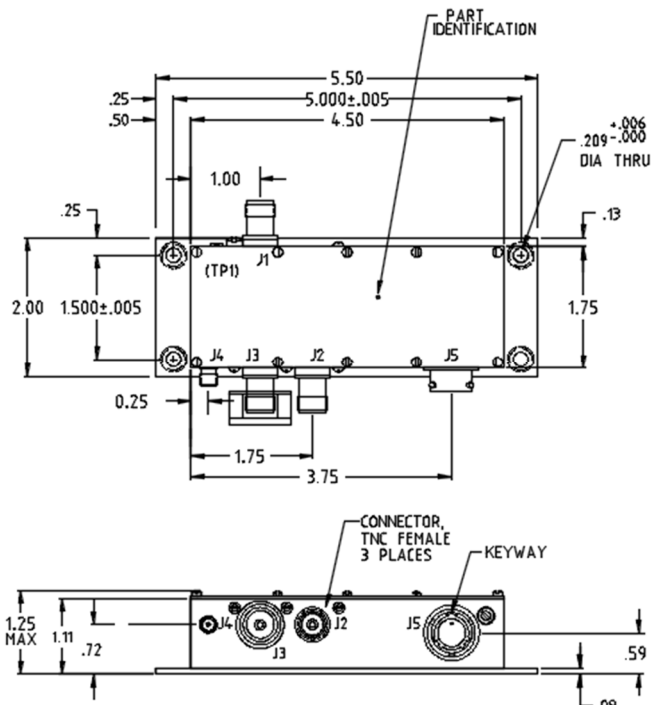


APPLICATIONS: MILITARY FIGHTER AIRCRAFT

FUNCTIONAL BLOCK DIAGRAM



OUTLINE DRAWING



PRODUCT SPECIFICATION

Parameter	Min.	Typ.	Max.	Units	
Frequency	DC		400	MHz	
DC Current		103	150	mA	+28VDC Supply
Insertion Loss		0.2	0.5	dB	
Isolation	40	75		dB	
VSWR		1.1:1	1.25:1		
Impedance		50		Ω	
Switching Speed		2.0	5	msec	50% TTL to 90%/10% RF
RF Power Operating			50	dBm	Avg.
			57	dBm	Peak
Temperature	-54	+25	+71	°C	Ta

TYPICAL PERFORMANCE

