

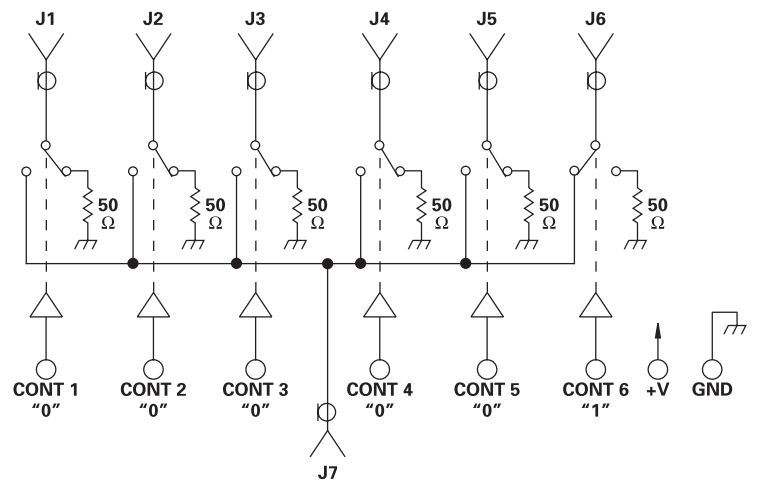
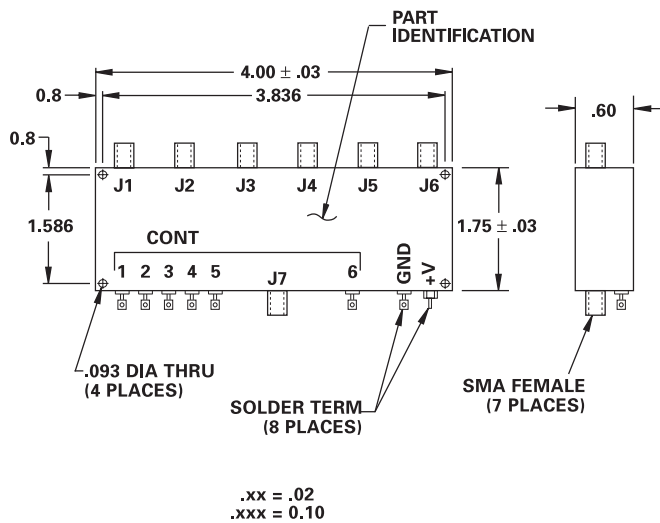
MODEL NUMBER 100C1296

High Isolation PIN Diode SP6T

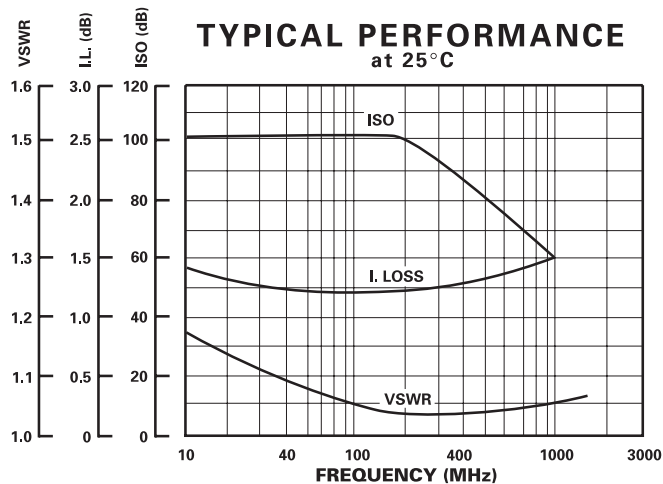
FEATURES

- 15- 1000 MHz
- High Isolation
- +40 dBm 3rd Order Intercept
- Non-Reflective
- CMOS Driver
- SMA Connectors

SP6T



GUARANTEED PERFORMANCE



Parameter	Min	Typ	Max	Units	Conditions
Operating Frequency	15		1000	MHz	
DC Current		20	25	mA	At +10 VDC Supply To +15 VDC Supply
Control Type		CMOS			6 Line Logic "0" = Off Logic "1" = On
Control Current	High Low		± 10 ± 10	μ A μ A	$V_{IH} = +V$ $V_{IL} = +0V$
Insertion Loss		1.2	1.5	dB	30 - 300 MHz
		1.5	1.8	dB	15 - 1000 MHz
Isolation	90	95		dB	15 - 200 MHz
	75	85		dB	200 - 400 MHz
	60	70		dB	400 - 700 MHz
	50	60		dB	700 - 1000 MHz
VSWR		1.15/1	1.4/1		
Impedance		50		OHMS	
Switching Speed			50	μ SEC	50% Control to 90% / 10% RF
Transition (Rise/Fall) Time		1.5		μ SEC	10% / 90% to 90% / 10% RF
Switching (Video) Transients		1		V	Peak Value
Intercept Points	2nd 3rd	+70 +40		dBm	
RF Power	Operate	+15		dBm	
Operating Temperature	-55	+25	+85	$^{\circ}$ C	TA