

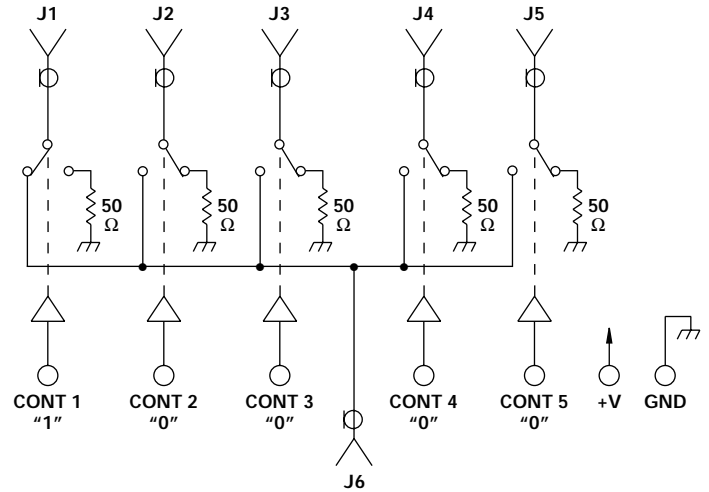
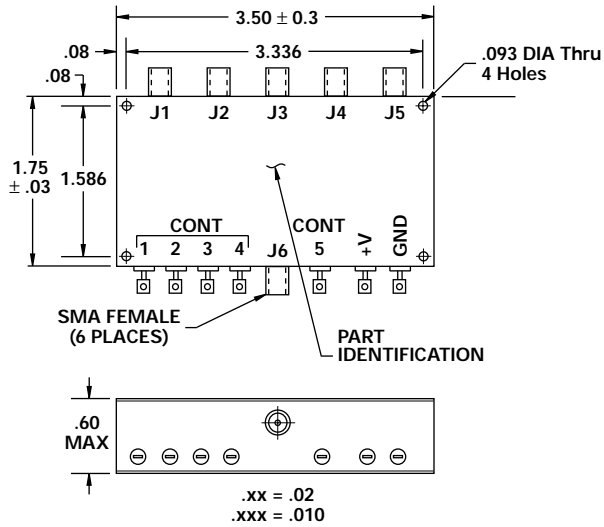
## FEATURES

- 15 - 1000 MHz
- 2.4 mA, +15 VDC
- High Isolation
- +38 dBm 3rd Order Intercept
- Non-Reflective
- CMOS Driver
- SMA Connectors



MODEL NO.  
100C1295

## High Isolation PIN Diode SP5T



## GUARANTEED PERFORMANCE

Parameter	Min	Typ	Max	Units	Conditions
Operating Frequency	15		1000	MHz	
DC Current			3	mA	At +10 VDC Supply To +15 VDC Supply
Control Type		CMOS			5 Line Logic "0" = Isolation Logic "1" = Thru
Control Current			$\pm 10$	$\mu$ A	$V_{IH} = +V$ $V_{IL} = 0 V$
Insertion Loss		0.7	0.9	dB	15 - 200 MHz
		0.9	1.2	dB	200 - 500 MHz
		1.1	1.5	dB	500 - 1000 MHz
Isolation	90	97		dB	15 - 100 MHz
	85	92		dB	100 - 200 MHz
	75	81		dB	200 - 400 MHz
	60	68		dB	400 - 800 MHz
	50	60		dB	800 - 1000 MHz
VSWR		1.12/1	1.2/1		20 - 800 MHz
		1.15/1	1.5/1		15 - 1000 MHz
Impedance		50		OHMS	
Switching Speed			20	$\mu$ SEC	50% Control to 90% / 10% RF
Transition (Rise/Fall) Time		1.5		$\mu$ SEC	90% / 10% or 10% / 90% RF
Switching (Video) Transients		1		V	Peak Value
Intercept Points	2nd	+61		dBm	20 MHz
		+78		dBm	87 MHz
		+88		dBm	150 MHz
	3rd	+38		dBm	20 MHz
		+45		dBm	87 MHz
		+50		dBm	150 MHz
RF Power	Operate	+8		dBm	15 - 20 MHz
		+13		dBm	20 - 40 MHz
		+20		dBm	40 - 80 MHz
		+22		dBm	80 - 100 MHz
Operating Temperature	-55	+25	+85	$^{\circ}$ C	TA

