

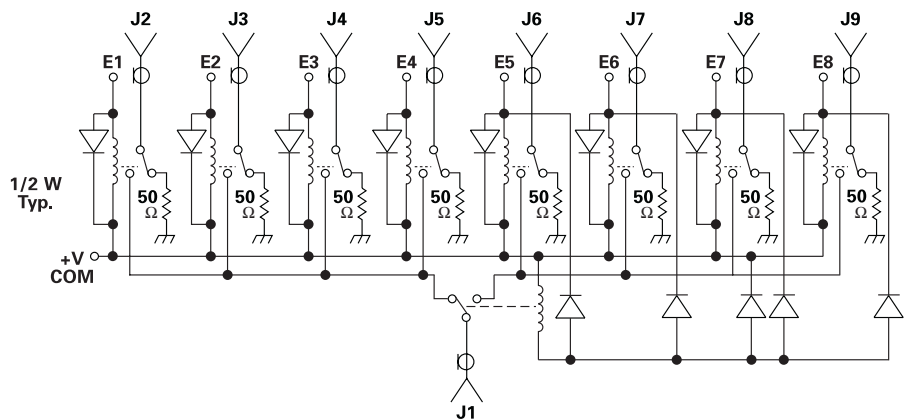
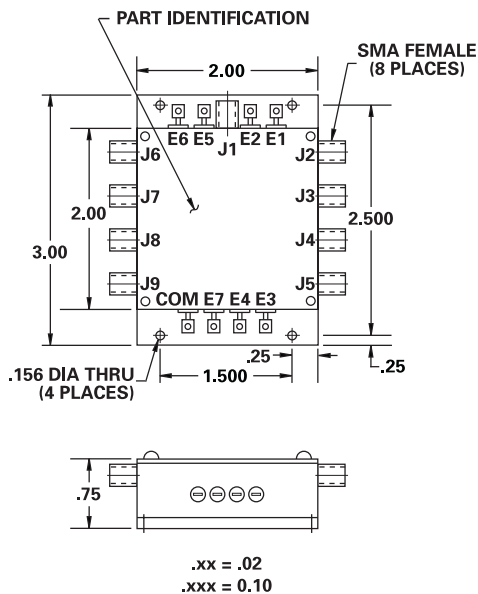
MODEL NUMBER 100C1159

SP8T Relay

FEATURES

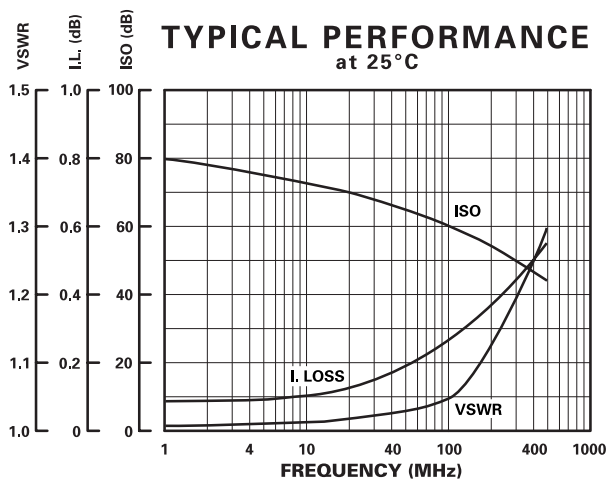
- DC - 200 MHz
- 50Ω Terminations
- 25 Watt CW
- SMA Connectors

SP8T



GUARANTEED PERFORMANCE

| Parameter | Min | Typ | Max | Units | Conditions |
|-----------------------|---------|-------|--------|-------|------------|
| Operating Frequency | DC | | 200 | MHz | |
| DC Voltage | | | | | See Table |
| Insertion Loss | | 0.4 | 0.5 | dB | |
| Isolation | 50 | 55 | | dB | |
| VSWR | Thru | 1.2/1 | 1.25/1 | | |
| Impedance | | 50 | | OHMS | |
| Switching Speed | | | 5 | mSec | |
| RF Power | Operate | | 25 | W | CW (Thru) |
| Operating Temperature | -55 | +25 | +85 | °C | TA |



| CONTROL VOLTAGE TABLE | |
|-----------------------|---------------|
| Voltage | Part No. |
| 6 | 100C1159 - 6 |
| 12 | 100C1159 - 12 |
| 18 | 100C1159 - 18 |
| 26 | 100C1159 - 26 |

PART NO. EXAMPLE - SEE TABLE
100C1159 - 26
 Basic Part Number -26 for +26V Operation



DAICO Industries

310.507.3242 • FAX 310.507.5701 • www.daico.com