

## FEATURES

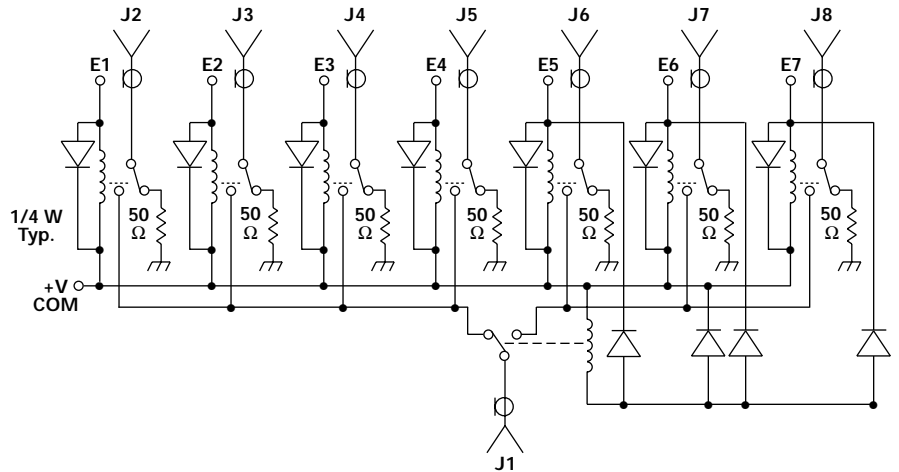
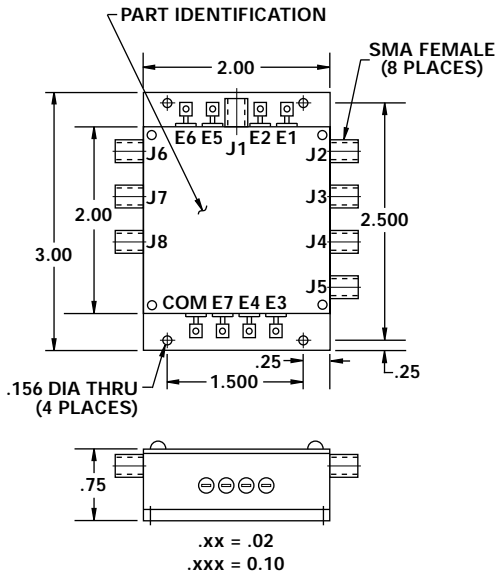
- DC - 200 MHz
- 0.5 dB Insertion Loss
- Non-Reflective
- 25 Watt CW  
SMA Connectors



MODEL NO.  
100C1094

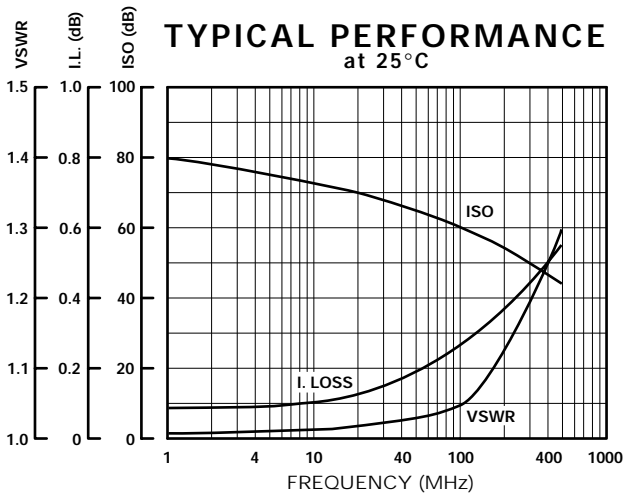
SP7T RELAY

SP7T



## GUARANTEED PERFORMANCE

Parameter	Min	Typ	Max	Units	Conditions
Operating Frequency	DC		200	MHz	
DC Voltage					See Table
Insertion Loss		0.35	0.5	dB	
Isolation	50	53		dB	
VSWR	Thru	1.1/1	1.25/1		
Impedance		50		OHMS	
Switching Speed			5	mSEC	
RF Power	Operate		25	W	CW (Thru)
Operating Temperature	-55	+25	+85	°C	TA



CONTROL VOLTAGE TABLE	
Voltage	Current - Typical
6	130 mA per throw
12	64 mA per throw
18	42 mA per throw
26	34 mA per throw

PART NO. EXAMPLE - SEE TABLE  
100C1094 - 26

Basic Part Number | Dash No. same as coil voltage