

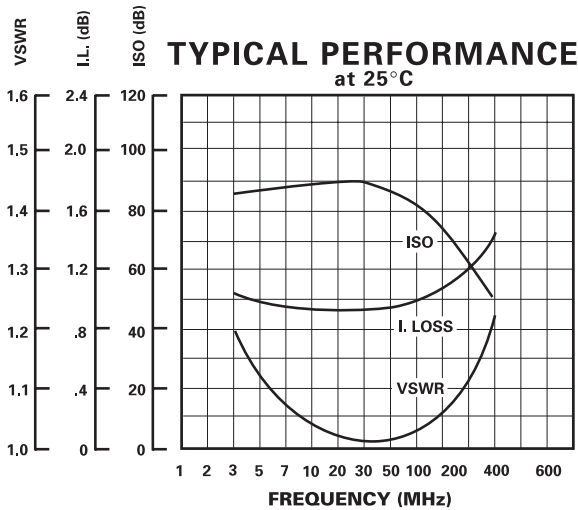
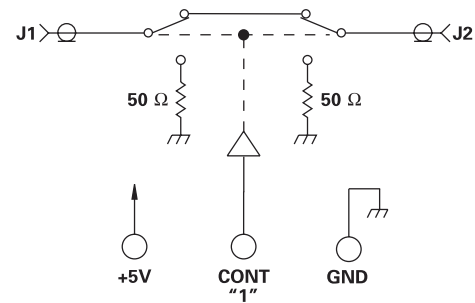
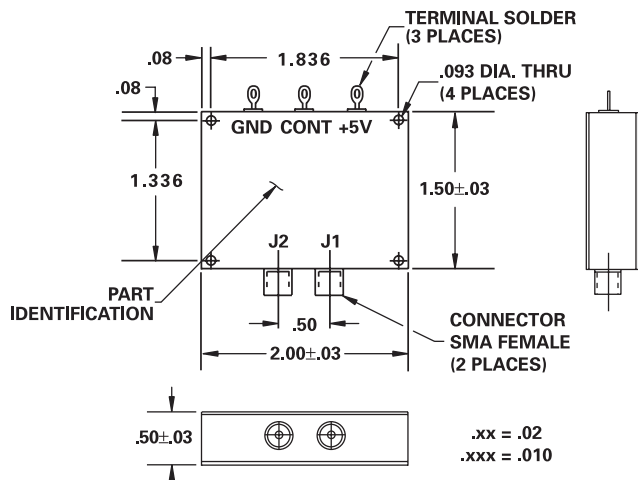
MODEL NUMBER 100C1041

Schottky Diode SPST

FEATURES

- 5-300 MHz
- 3 nSec 10%/90% RF Transition
- 9 nSec Switching Speed
- 60 dB Isolation
- TTL Driver
- Non-Reflective

SPST



GUARANTEED PERFORMANCE

Parameter	Min	Typ	Max	Units	Conditions
Operating Frequency	5		300	MHz	
DC Current		62	100	mA	At +5 VDC Supply
Control Type		TTL			1 Line Logic "0" = Isolation Logic "1" = Thru
Control Current		0	±20	µA	V _{IH} = +2.7V V _{IL} = +0.5V
Insertion Loss		0.9	1.2	dB	5 - 100 MHz
		1.1	1.5	dB	100 - 300 MHz
Isolation		60	75	dB	5 - 100 MHz
		50	63	dB	100 - 300 MHz
VSWR		1.2/1	1.4/1		
Impedance		50		OHMS	
Switching Speed		9	25	nSEC	50% TTL to 90% / 10% RF
Transition (Rise/Fall) Time		3	7	nSEC	90% / 10% or 10% / 90% RF
Switching (Video) Transients		26	35	mV	Peak Value
Intercept Points	2nd	+80		dBm	70 MHz / 50 MHz
	3rd	+32		dBm	35 MHz / 50 MHz
RF Power		+12	+10	dBm	0.1 dB Compression
			+20	dBm	
Operating Temperature	-55	+25	+125	°C	TA