

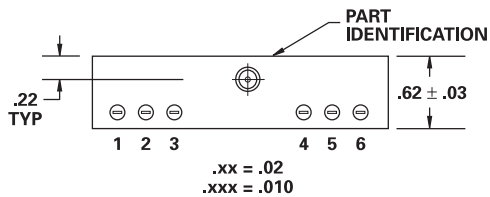
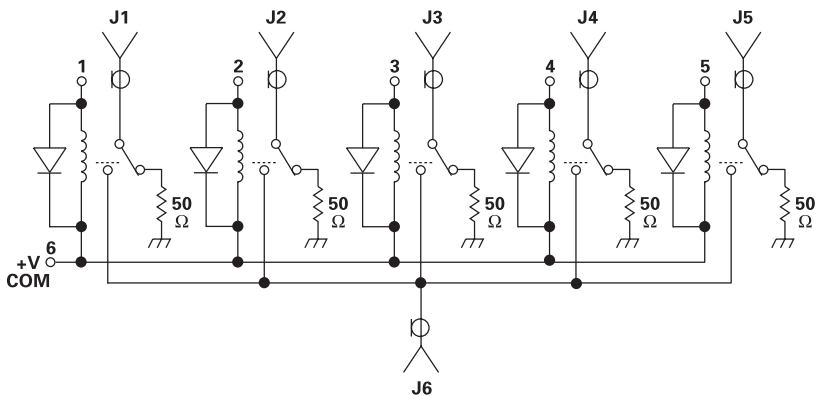
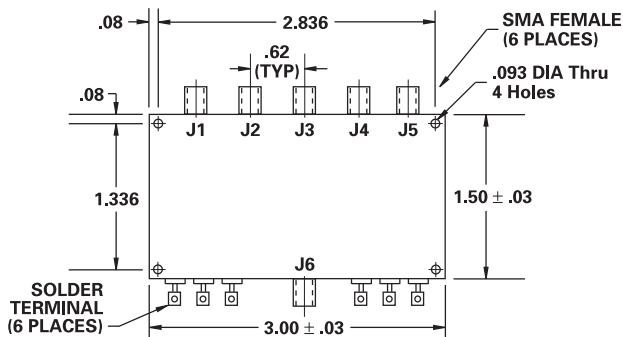
MODEL NUMBER
100C0614

SP5T Relay

FEATURES

- DC-450 MHz
- 20 Watts CW
- Non-Reflective
- SMA Connectors

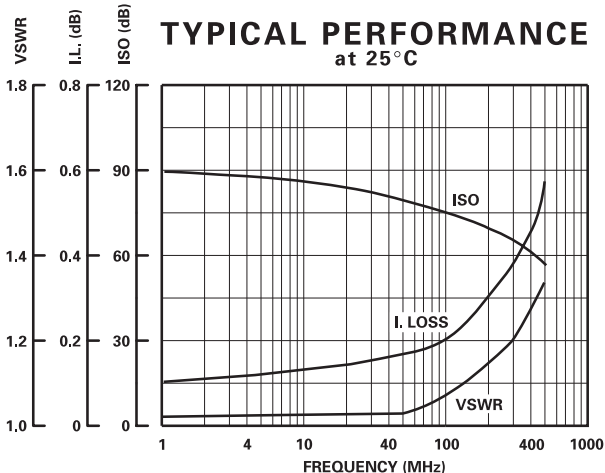
SP5T



GUARANTEED PERFORMANCE

Parameter	Min	Typ	Max	Units	Conditions
Operating Frequency	DC		450	MHz	
DC Voltage					See Table
Insertion Loss		0.35	0.4	dB	DC - 250 MHz
		0.5	0.6	dB	250 - 450 MHz
Isolation	60	70		dB	DC - 250 MHz
	50	60		dB	250 - 450 MHz
VSWR	Thru	1.15/1	1.2/1		DC - 250 MHz
		1.3/1	1.4/1		250 - 450 MHz
Impedance		50		OHMS	
Switching Speed			5	mSEC	
RF Power	Operate		20	W	CW
Operating Temperature	-55	+25	+85	°C	TA

Voltage	Current - Typical
6	65 mA per throw
12	32 mA per throw
18	21 mA per throw
26	17 mA per throw



PART NO. EXAMPLE - SEE TABLE
100C0614 - 26
 Basic Part Number Dash No. same as coil voltage