

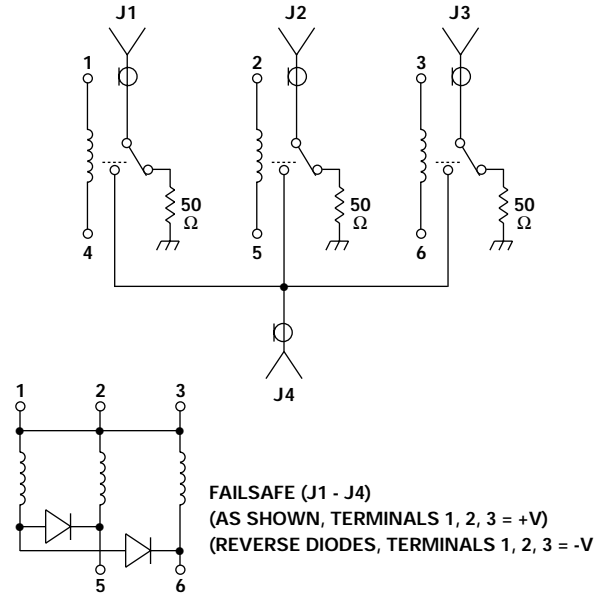
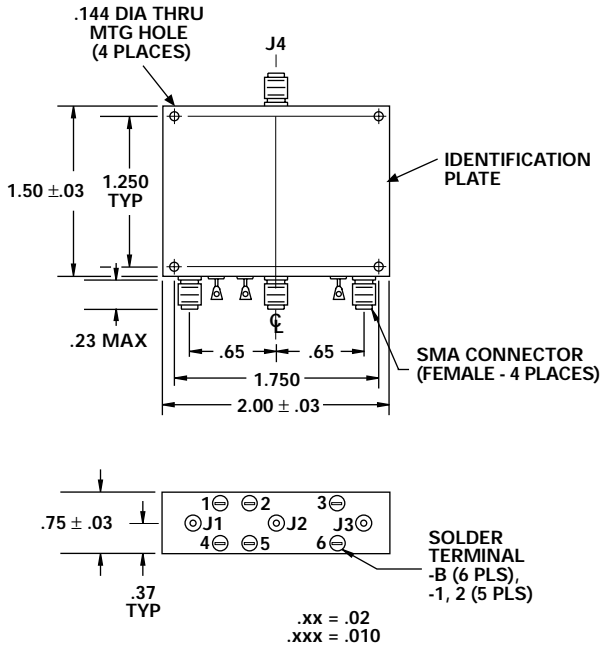
FEATURES

- DC - 150 MHz
- 0.35 dB Insertion Loss
- 100 dB Isolation
- Non-Reflective
- SMA Connectors



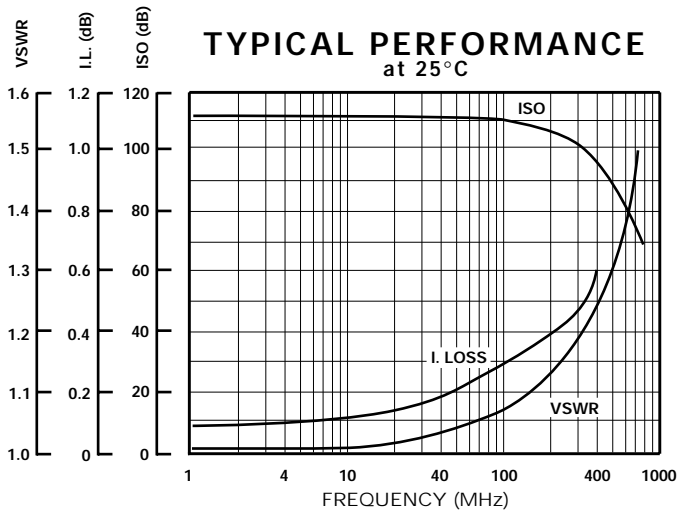
MODEL NO.
100C0285

SP3T Relay



GUARANTEED PERFORMANCE

Parameter	Min	Typ	Max	Units	Conditions
Operating Frequency	DC		150	MHz	
DC Voltage					See Table
Insertion Loss		0.35	0.5	dB	
Isolation	100	108		dB	
VSWR	Thru	1.1/1	1.4/1		
Impedance		50		OHMS	
Switching Speed			3	mSEC	
RF Power	Operate		2.5	W	CW
Operating Temperature	-55	+25	+85	°C	TA



CONTROL VOLTAGE TABLE	
Voltage	Current - Typical
6	130 mA Per Throw
12	64 mA Per Throw
18	42 mA Per Throw
26	34 mA Per Throw

PART NO. EXAMPLE - See Table

100C0285 - 1 - 6

Part Number

-1 (Failsafe Neg Logic)
-2 (Failsafe Pos Logic)
-B (Basic Standard if not Specified)

Specify Coil Voltage, (26 V Standard if not Specified)