

**FEATURES**

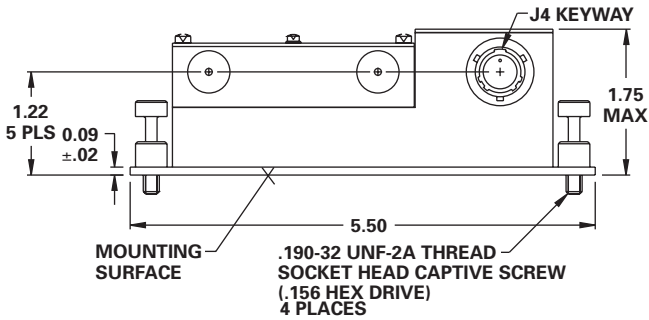
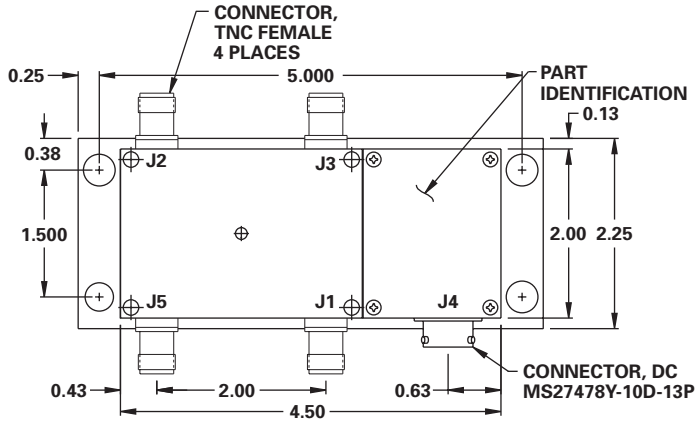
- 420 - 450 MHz
- 100 Watt AM
- 125 Watt FM



**MODEL NO.  
CSWX9290**

**High Power Antenna  
Selector**

MFD



CONN	FUNCTION
J1	UPPER
J2	LOWER
J3	COM 2
J5	COM 1

J4 CONNECTOR CHART	
PIN	FUNCTION
1	PRIMARY POWER RETURN
2	SPARE
3	PRIMARY POWER (+28V)
4	SPARE
5	UPPER/LOWER INDICATOR
6	COM 2 TRANSMIT KEY
7	MODE SELECT
8	COM 1 TRANSMIT KEY
9	SPARE
10	COM 2 SQUELCH OUTPUT
11	COM 1 SQUELCH OUTPUT
12	SPARE
13	SPARE

**GUARANTEED PERFORMANCE**

Parameter	Min	Typ	Max	Units	Conditions
Operating Frequency	420		450	MHz	
DC Current		310	350	mA	
Insertion Loss		0.25	0.6	dB	
Isolation		50	55	dB	Between each Combiner Input Ports
VSWR		1.13/1	1.25/1		30 - 400
		1.13/1	1.35/1		400 - 500
Impedance		50		OHMS	
Switching Speed		2	30	mSec	50% TTL to 90% / 10% RF
RF Power	Operate	100		W	AM
		125		W	FM
Operating Temperature				°C	TA