

FEATURES

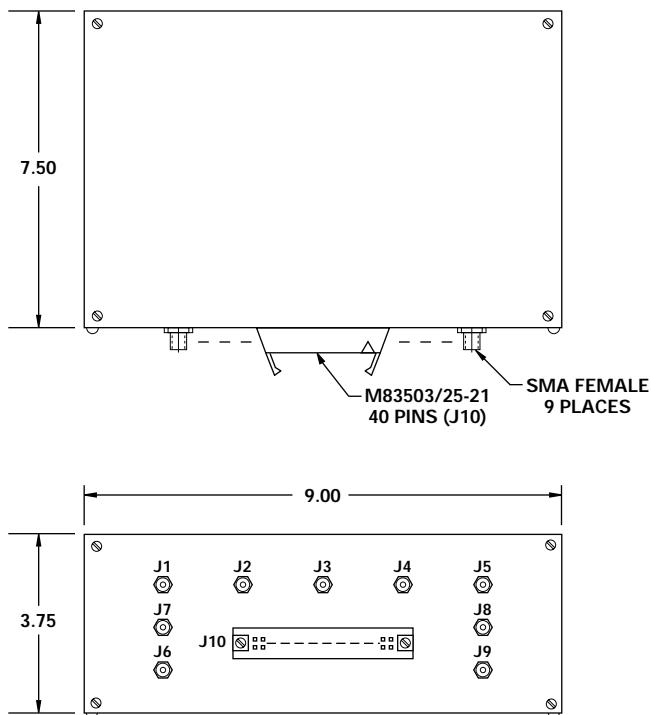
- 450 - 600 MHz
- High Isolation
- TTL Driver
- Terminated Switches
- SMA Connectors



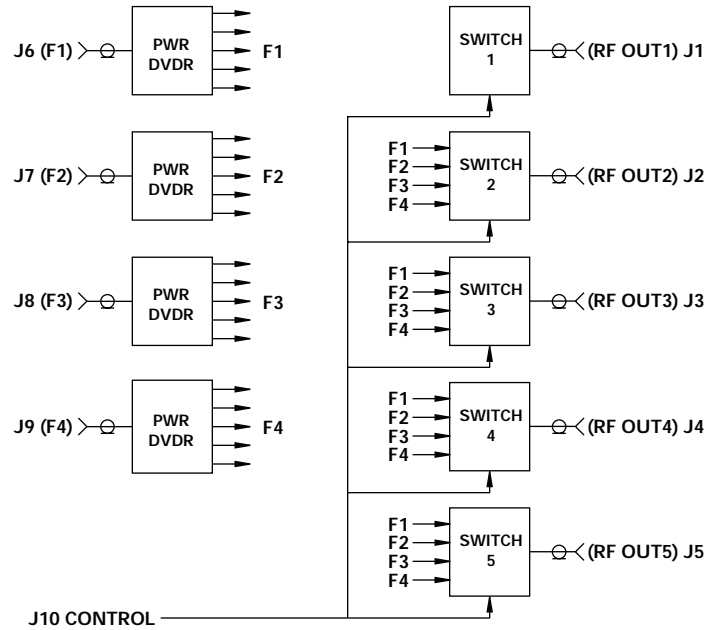
MODEL NO.
CSWX9023

4x5 Switch Matrix

HDI



.xx = .02
.xxx = .010



GUARANTEED PERFORMANCE

Parameter	Min	Typ	Max	Units	Conditions
Operating Frequency	450		600	MHz	
DC Current		85	150	mA	At +5 VDC Supply
Control Type		TTL			See Control Table
Control Current				μ A	$V_{IH} = +2.7$ V $V_{IL} = +0.5$ V
		High	1		
		Low	.01		
Insertion Loss		10.4	11.5	dB	
Isolation	75	76		dB	Between Selected and Non-Selected Inputs as Measured at the Corresponding Output
VSWR		1.4	2/1		
Impedance		50		OHMS	
Switching Speed		2.4	3	μ Sec	50% TTL to 10% / 90% RF
Transition (Rise/Fall) Time		18		μ Sec	10% / 90% to 90% / 10% RF
Switching (Video) Transients		850		mV	
Intercept Poing				dBm	
		2nd	+85		
		3rd	+50		
RF Power			+32	dBm	Operate
		No Damage			
Operating Temperature	0	+25	+65	$^{\circ}$ C	TA