



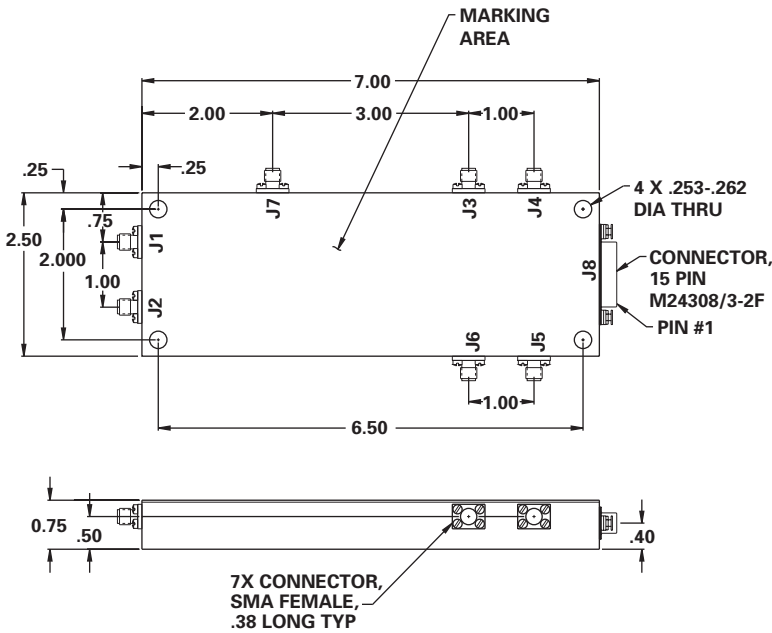
**MODEL NO.
100D9103**

Switch Input

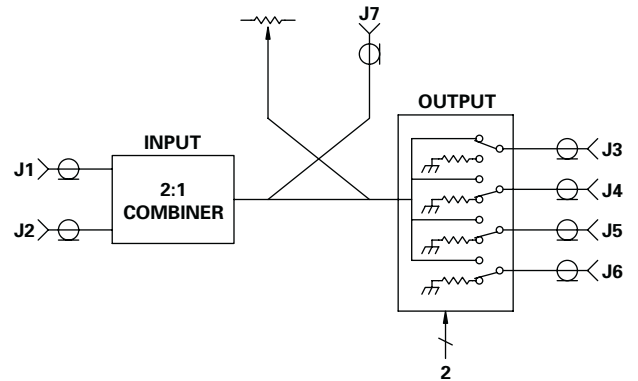
FEATURES

- 420 - 450 MHz
- 47 dB Directivity
- 100 dB Isolation
- Amplitude Tracking
- Phase Tracking

MFD



.xx = .02
.xxx = .010



| J8 PIN NO | BD NO. | FUNCTION |
|-----------|--------|-----------|
| 1 | 3 | BIT 1 (+) |
| 2 | 2 | BIT 1 (-) |
| 3 | 4 | BIT 2 (+) |
| 4 | 5 | BIT 2 (-) |
| 5 | | |
| 6 | | |
| 7 | | |
| 8 | | |
| 9 | | |
| 10 | | |
| 11 | | |
| 12 | 7 | GND |
| 13 | 1 | GND |
| 14 | 6 | +15V |
| 15 | J8-14 | +15V |

| BIT 1 (MSB) | | BIT 2 (LSB) | | SELECTED PORT |
|-------------|------------|-------------|------------|---------------|
| PIN NUMBER | PIN NUMBER | PIN NUMBER | PIN NUMBER | |
| 1 | 2 | 3 | 4 | |
| LOW | HIGH | LOW | HIGH | 3 |
| LOW | HIGH | HIGH | LOW | 4 |
| HIGH | LO | LOW | HIGH | 5 |
| HIGH | LOW | HIGH | LOW | 6 |

GUARANTEED PERFORMANCE

| Parameter | Min | Typ | Max | Units | Conditions |
|------------------------------|-----------|--------|-------|-------|------------------------------|
| Operating Frequency | 420 | | 450 | MHz | |
| DC Current | | 54 | 75 | mA | At +15 VDC Supply |
| Control Type | | | | | |
| Control Current | | | | µA | VIH = +2.7 V VIL = +0.5 V |
| Insertion Loss | | 4.3 | 4.7 | dB | Output J3 to J6 Output J7 |
| | 13.0 | 13.5 | 14.0 | dB | |
| Amplitude Tracking | | | ±.50 | dB | Port to Port Unit to Unit |
| | | | ±.50 | dB | |
| Isolation | 90 | 110 | | dB | Switch Isolation |
| Isolation Combiner | 20 | 33 | | dB | J1 to J2 |
| Coupler Directivity | 27 | 47 | | dB | |
| VSWR | | 1.12/1 | 1.2/1 | | |
| Impedance | | 50 | | OHMS | |
| Switching Speed | | | 3.0 | µSec | 50% TTL to 90% / 10% RF |
| Transition (Rise/Fall) Time | | | | nSec | 90% / 10% or 10% / 90% RF |
| Switching (Video) Transients | | | | V | Peak Value |
| Intercept Points | | | | dBm | |
| | | | | dBm | |
| RF Power | Operate | | +19 | dBm | |
| | No Damage | | +22 | dBm | |
| Operating Temperature | +15 | | +50 | °C | TA |