

FEATURES

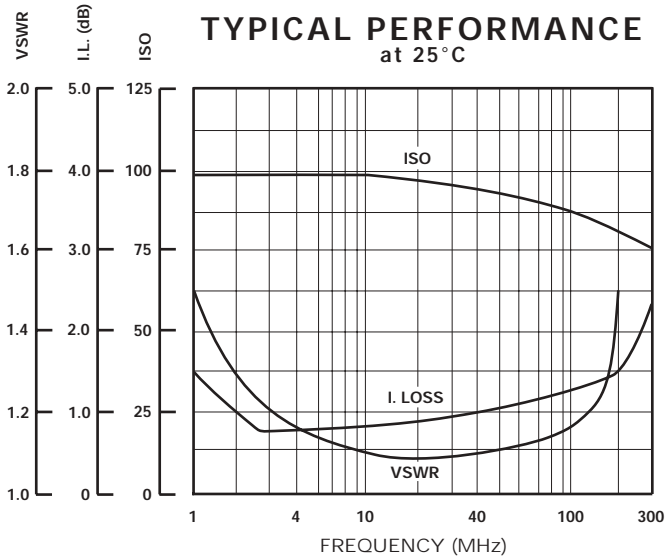
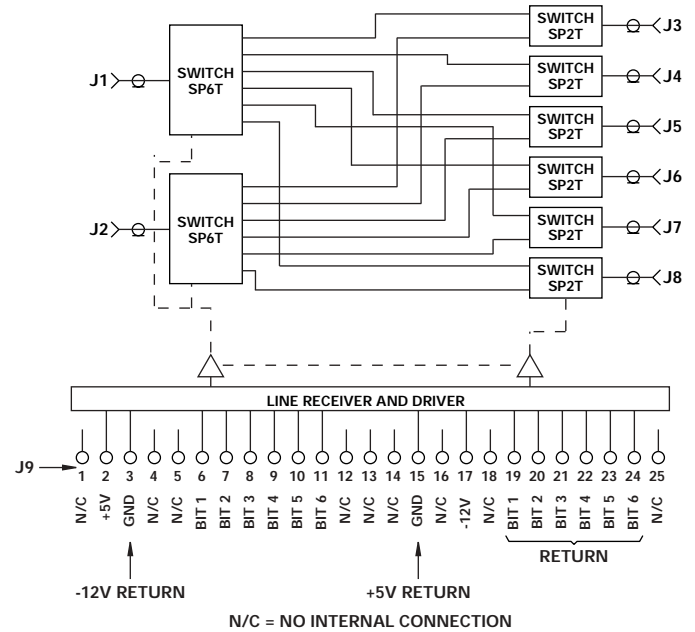
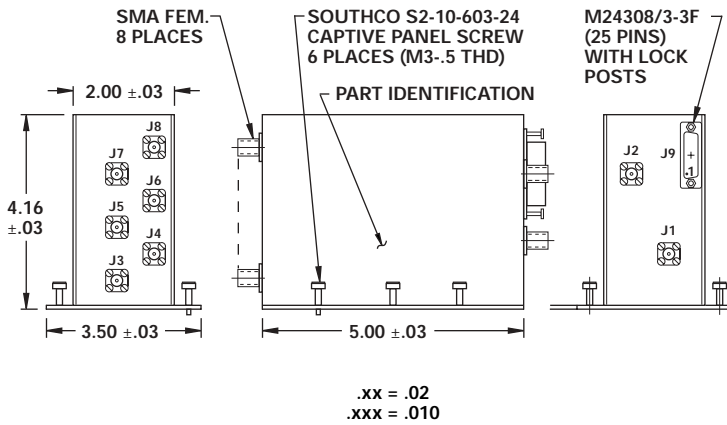
- 27 - 33 MHz
- 1.0 dB Insertion Loss
- 93 dB Isolation
- 25 mV Transients
- Blocking Matrix

HDI



MODEL NO.
100C1739

(2x6) Switch Matrix



GUARANTEED PERFORMANCE

| Parameter | Min | Typ | Max | Units | Conditions |
|------------------------------|-----------|----------|-------|-------|--|
| Operating Frequency | 27 | | 33 | MHz | |
| DC Current | | 130 | 200 | mA | At +5 VDC Supply |
| | | 14 | 25 | mA | To -12 VDC Supply |
| Control Type | | RS-422-A | | | 6 Line Differential Line Receiver See Truth Table |
| Insertion Loss | | 1.0 | 2.2 | dB | |
| Isolation | 80 | 93 | | dB | Between the 6 Outputs J3-J8 |
| VSWR | | 1.1/1 | 1.3/1 | | |
| Impedance | | 50 | | OHMS | |
| Switching Speed | | 2.3 | 4 | µSec | 50% CTL - 10% / 90% RF |
| Transition (Rise/Fall) Time | | 1.0 | | µSec | 10% / 90% to 90% / 10% RF |
| Switching (Video) Transients | | 25 | 60 | mV | Peak to Peak |
| Intercept Points | 2nd | +70 | | dBm | 70 MHz / 50 MHz |
| | 3rd | +46 | | dBm | 35 MHz / 50 MHz |
| RF Power | Operate | +21 | +10 | dBm | 0.1 dB Compression |
| | No Damage | | +15 | dBm | |
| Operating Temperature | 0 | +25 | +70 | °C | TA |